



CAST CARBON STEEL

GATE, GLOBE & CHECK VALVES

- API 600
- ASME Class 150 ~ 1500
- Flanged & Butt Weld

WARREN
VALVE

01 COMPANY INFORMATION

Warren Valve is a high quality manufacturer of valves in gate, globe, check, ball, and strainer configurations, available in a wide variety of material and pressure classes. Warren Valves are engineered to meet ASTM, NACE, ASME, and API Standards, satisfying the strict requirements of petroleum refineries, chemical processing plants, power-generating plants, pulp and paper, food processing, mining, and other critical applications.

Warren Valves are subject to rigorous quality inspections. Our comprehensive evaluation includes on-site audits, inspection at the source, receiving inspections, and destructive material testing. This ongoing process, led by our in-house metallurgist and QA/QC team, ensures that Warren Valves are manufactured to the highest industry standards.

Warren Valves are offered exclusively through Warren Alloy. For half a century, Warren Alloy has been a Master Distributor of Stainless Steel and High Alloy pipe, tubing, flanges, fittings, and its exclusive line of Warren Valves. Warren Alloy is dedicated to our customers by maintaining and extensive inventory, providing 24-hour emergency service, and fast shipment.

Warren's in-house capabilities include pipe cutting, threading, machining, and valve modification.



Our valve experts will be glad to work with you to select the best valve for your customer's application. Call on one today and experience the Warren difference.

WHY WARREN?

TURN TO WARREN VALVE WHEN YOUR CUSTOMER REQUIREMENTS INCLUDE:

QUALITY CONTROL

Warren's strict quality control ensures that each valve is manufactured to endure the most demanding applications.

In-house testing assures valves meet our highest quality standards and production is certified to ISO standards. Mill test reports are always available.

AVAILABILITY

Project level inventories are maintained; same or next day shipment is our standard.

COMPETITIVE PRICING

Warren's prices offer an economical alternative to the big name valves.

MATERIALS

Warren carries one of the most varied material inventories in the industry; including carbon steel, low-temp carbon steel, forged carbon, stainless steels (316, 304, 317), Alloy 20, and Hastelloy-C. Other exotic alloys and stainless steels are available on a POA basis.






Warren Valve is ISO-Certified in Houston, Charlotte, and Salt Lake City and performs valve modifications in-house.

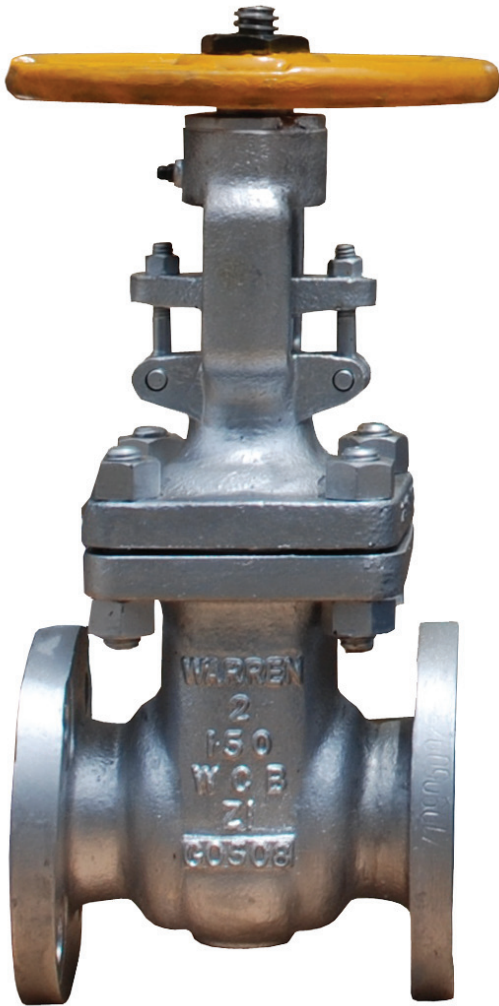


Valves are stocked and ready to ship from each of our 11 locations throughout North America.



CAST CARBON STEEL GATE VALVES		03
	CLASS 150	04
	CLASS 300	05
	CLASS 600	06
	CLASS 900	07
	CLASS 1500	08
CAST CARBON STEEL GLOBE VALVES		09
	CLASS 150	10
	CLASS 300	11
	CLASS 600	12
	CLASS 900	13
	CLASS 1500	14
CAST CARBON STEEL CHECK VALVES		15
	CLASS 150	16
	CLASS 300	17
	CLASS 600	18
	CLASS 900	19
	CLASS 1500	20
TOPWORKS DATA		21
PRESSURE/TEMPERATURE CHART		23
LOW EMISSION VALVES		24

VALVE SIZES OFFERED																			
	Class	Figure No.	Size (inches)																
			2	2.5	3	4	5	6	10	12	14	16	18	20	22	24	26	28	30
Gate	150	1155	X	X	X	X	X	X	X	X	X	X	X	X	X	X	X	X	X
	300	1305	X	X	X	X		X	X	X	X	X	X	X	X	X	X	X	X
	600	1605	X	X	X	X		X	X	X	X	X	X	X	X				
	900	1905		X	X	X		X	X	X	X	X							
	1500	1505	X		X	X		X	X	X	X	X							
Globe	150	2155	X	X	X	X		X	X	X	X	X	X	X	X				
	300	2305	X	X	X	X		X	X	X	X	X	X	X	X				
	600	2605	X		X	X		X	X	X	X								
	900	2905		X	X	X		X	X	X									
	1500	2505	X		X	X		X	X	X									
Swing Check	150	3155	X	X	X	X		X	X	X	X	X	X	X	X	X	X	X	X
	300	3305	X	X	X	X		X	X	X	X	X	X	X	X	X	X	X	X
	600	3605	X		X	X		X	X	X	X	X	X	X	X				
	900	3905		X	X	X		X	X	X	X	X							
	1500	3505	X		X	X		X	X	X	X	X							



CAST CARBON STEEL GATE VALVES

Warren Valve’s line of Cast Carbon Steel Gate Valves are offered in classes 150, 300, 600, 900, and 1500. For oil and gas refineries and petrochemical plants, Warren’s carbon steel valves are an economical and quality choice.

Warren Valves are subject to rigorous quality inspections. Our comprehensive evaluation includes on-site audits, inspection at the source, receiving inspections, and destructive material testing. Mill test reports are always available.

FEATURES

- OS&Y
- Rising Stem
- Flexible Wedge
- Bolted Bonnet
- Welded Seat Rings

GENERAL DESIGN STANDARDS

Cast Carbon Steel Gate Valves	
Design	API 600
Testing	API 598 ¹
Pressure Temperature Rating	ANSI B16.34
Face to Face Dimensions	ANSI B16.10
End Flange Dimensions	ANSI B16.51 ²
Weld End Dimensions	ANSI B16.25
Visual Inspection of Castings	MSS-SP-55

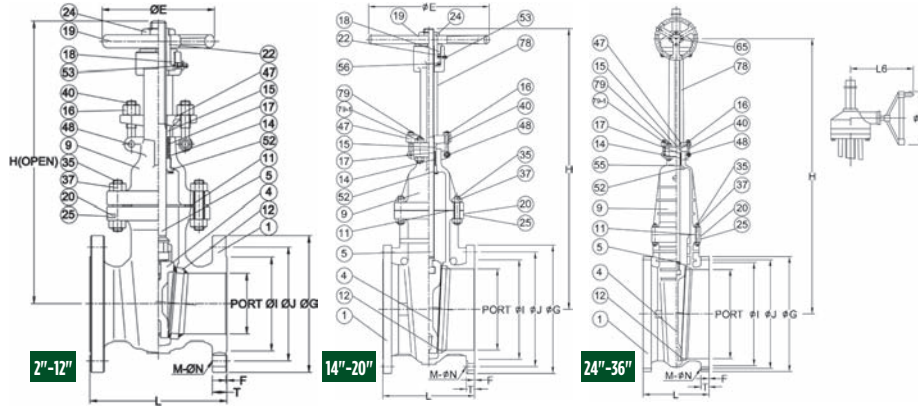
¹ Every Warren Valve is 100% pressure tested according to API 598 requirements. MTRs are available upon request.

² Valves 26" and larger according to ANSI B16.47 Series A (MSS SP-44) and Series B (API 605)

CAST CARBON STEEL GATE VALVES 04

CLASS 150 FIG NO. 1155-8

AVAILABLE IN 2"-36"



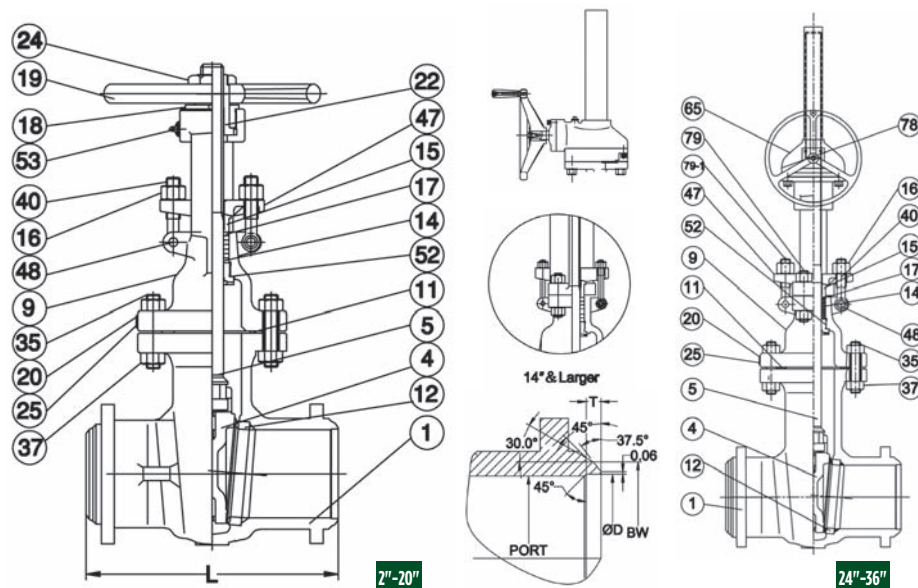
DIMENSIONS													
SIZE	PORT	L	L6	ØE	H	ØG	ØJ	ØI	T	F	M	ØN	Wt(lbs)
2"	2.00	7.00		7.88	15.20	6.00	4.75	3.62	0.75	0.06	4	0.75	44.1
2-1/2"	2.50	7.50		7.88	17.13	7.00	5.50	4.12	0.87	0.06	4	0.75	68.3
3"	3.00	8.00		9.84	19.02	7.50	6.00	5.00	0.94	0.06	4	0.75	77.2
4"	4.00	9.00		9.84	23.35	9.00	7.50	6.19	0.94	0.06	8	0.75	110.2
5"	5.00	10.00		9.84	26.77	10.00	8.50	7.31	0.94	0.06	8	0.88	154.3
6"	6.00	10.50		11.81	30.31	11.00	9.50	8.50	1.00	0.06	8	0.88	169.8
8"	8.00	11.50		13.78	37.60	13.50	11.75	10.62	1.12	0.06	8	0.88	260.1
10"	10.00	13.00		15.75	45.39	16.00	14.25	12.75	1.38	0.06	12	1.00	392.4
12"	12.00	14.00		17.72	52.83	19.00	17.00	15.00	1.25	0.06	12	1.00	566.6
14"	13.25	15.00		19.70	60.00	21.00	18.75	16.25	1.37	0.06	12	1.13	840.0
16"	15.25	16.00		22.00	76.76	23.50	21.25	18.50	1.44	0.06	16	1.13	1135.4
18"	17.25	17.00		25.20	74.80	25.00	22.75	21.00	1.56	0.06	16	1.25	1428.6
20"	19.25	18.00		25.20	83.46	27.50	25.00	23.00	1.68	0.06	20	1.25	1741.7
24"	23.25	20.00	17.00	18.10	97.64	32.00	29.50	27.25	1.87	0.06	20	1.38	2491.2
30"	29.25	24.00	20.2	20.9	91.35	38.75	36.00	33.75	2.94	0.06	28	1.38	4574.6
36"	34.41	28.00	24.1	24.8	107.0	46.00	42.75	40.25	3.56	0.06	32	1.62	7043.8

OPTIONS	
FIGURE NO.	OPTIONS
1155-8 (as shown)	API Trim 8 (13Cr/HF)
1155-5N	API Trim 5 (HF/HF) to NACE
1155-12N	API Trim 12 (316/HF) to NACE

MATERIAL LIST		
No.	PART NAME	Material
1	Body	ASTM A216 Gr. WCB
4	Wedge	ASTM A216 Gr. WCB + 13Cr
5	Stem	ASTM A182 Gr.F6A
9	Bonnet	ASTM A216 Gr. WCB
11	Gasket	304+Flexible Graphite
12	Seat Ring	ASTM A105+STL#6
14	Packing	Flexible Graphite
15	Gland	ASTM A276 Gr.410
16	Eye Nut	ASTM A194 Gr.2H
17	Packing	Stainless Steel Wire + Graphite
18	Sleeve	ASTM / ANSI 1020
19	Handwheel	ASTM A536 Gr.65-45-12
20	Rivet	SS304
22	Stem Nut	ASTM A439 Gr.D-2
24	Lock Nut	ASTM / ANSI 1020
25	Name Plate	SS304
35	Bolt	ASTM A193 Gr.B7
37	Nut	ASTM A194 Gr.2H
40	Eye Bolt	ASTM A193 Gr.B7
47	Gland Flange	ASTM A216 Gr.WCB
48	Pin	ASTM A29 Gr.1035
52	Back Seat	ASTM A276 Gr.410
53	Oil Filler	Carbon Steel
55	Packing Spacer	ASTM A276 Gr. 410
56	Bearing	UNS 52100
65	Gearbox	BA-1
65	Gearbox	BA-2(30")/BAA-3(36")
78	Yoke	ASTM A216 Gr. WCB
79	Bolt	ASTM A193 Gr. B7
79-1	Nut	ASTM A194 Gr. 2H

CLASS 150 FIG NO. 1155-8W

AVAILABLE IN 2"-36"



DIMENSIONS							
SIZE	SCH	PORT	L	ØD	BW	T	Wt(lbs)
2"	STD	2.00	8.50	2.07	2.44	0.31	41
2-1/2"	STD	2.50	9.50	2.47	2.96	0.35	65
3"	STD	3.00	11.12	3.07	3.59	0.39	73
4"	STD	4.00	12.00	4.03	4.62	0.43	103
5"	STD	5.00	15.00	5.05	5.69	0.43	150
6"	STD	6.00	15.88	6.07	6.78	0.47	165
8"	STD	8.00	16.50	7.98	8.78	0.55	245
10"	STD	10.00	18.00	10.02	10.94	0.59	375

DIMENSIONS							
SIZE	SCH	PORT	L	ØD	BW	T	Wt(lbs)
12"	STD	12.00	19.75	12.00	12.97	0.63	546
14"	STD	13.25	22.50	13.25	14.25	0.67	831
16"	STD	15.25	24.00	15.25	16.25	0.67	1105
18"	STD	17.25	26.00	17.25	18.28	0.67	1401
20"	STD	19.25	28.00	19.25	20.31	0.67	1709
24"	STD	23.25	32.00	23.25	24.38	0.67	2491.7
30"	STD	29.25	36.00	29.38	30.38	0.67	4575.4
36"	STD	34.39	40.00	35.38	36.50	0.67	7045.0

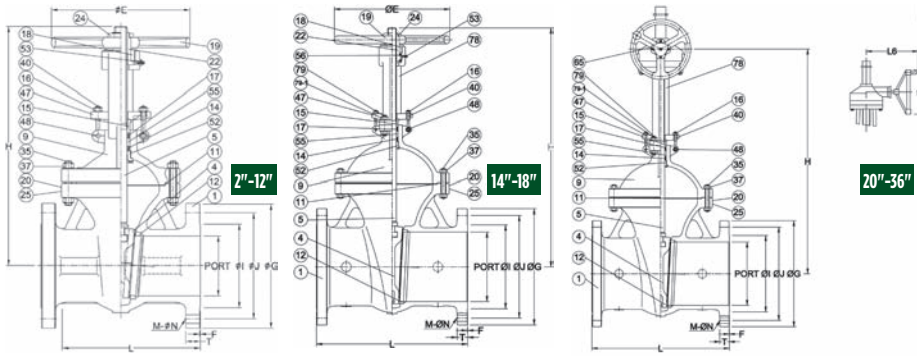
OPTIONS	
FIGURE NO.	OPTIONS
1155-8W (as shown)	API Trim 8 (13Cr/HF)
1155-5W-N	API Trim 5 (HF/HF) to NACE
1155-12W-N	API Trim 12 (316/HF) to NACE

MATERIAL LIST		
No.	PART NAME	Material
1	Body	ASTM A216 Gr. WCB
4	Wedge	ASTM A216 Gr. WCB + 13Cr
5	Stem	ASTM A182 Gr.F6A
9	Bonnet	ASTM A216 Gr. WCB
11	Gasket	304+Flexible Graphite
12	Seat Ring	ASTM A105+STL#6
14	Packing	Flexible Graphite
15	Gland	ASTM A276 Gr.410
16	Eye Nut	ASTM A194 Gr.2H
17	Packing	Stainless Steel Wire + Graphite
18	Sleeve	ASTM / ANSI 1020
19	Handwheel	ASTM A536 Gr.65-45-18
20	Rivet	SS304
22	Stem Nut	ASTM A439 Gr.D-2
24	Lock Nut	ASTM / ANSI 1020
25	Name Plate	SS304
35	Bolt	ASTM A193 Gr.B7
37	Nut	ASTM A194 Gr.2H
40	Eye Bolt	ASTM A193 Gr.B7
47	Gland Flange	ASTM A216 Gr.WCB
48	Pin	ASTM A29 Gr.1035
52	Back Seat	ASTM A276 Gr.410
53	Oil Filler	Carbon Steel
65	Gearbox	ASTM A276 Gr.410
78	Yoke	BA-1 / BA-2 / BAA-3
79	Bolt	ASTM A193 Gr.B7
79-1	Nut	ASTM A194 Gr.2H

05 CAST CARBON STEEL GATE VALVES

CLASS 300 FIG NO. 1305-8

AVAILABLE IN 2"-36"



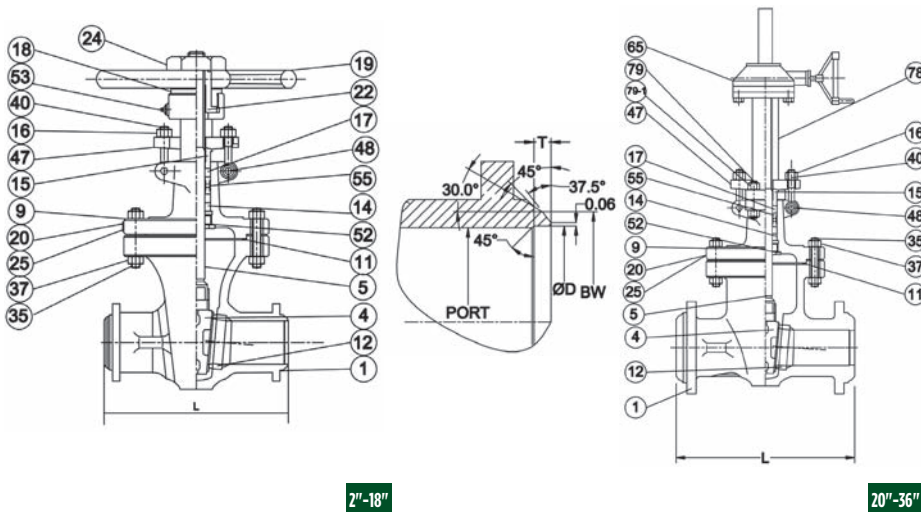
DIMENSIONS													
SIZE	PORT	L	L6	ØE	H	ØG	ØJ	ØI	T	F	M	ØN	Wt(lbs)
2"	2.00	8.50		7.88	16.54	6.50	5.00	3.62	0.87	0.06	8	0.75	52.9
2-1/2"	2.50	9.50		7.88	17.72	7.50	5.88	4.12	1.00	0.06	8	0.88	83.8
3"	3.00	11.12		9.84	20.71	8.25	6.62	5.00	1.12	0.06	8	0.88	105.8
4"	4.00	12.00		9.84	24.41	10.00	7.88	6.19	1.25	0.06	8	0.88	145.5
6"	6.00	15.88		13.88	32.44	12.50	10.62	8.50	1.44	0.06	12	0.88	302.0
8"	8.00	16.50		15.75	39.45	15.00	13.00	10.62	1.62	0.06	12	1.00	454.2
10"	10.00	18.00		17.72	47.32	17.50	15.25	12.75	1.87	0.06	16	1.13	738.5
12"	12.00	19.75		19.69	55.31	20.25	17.75	15.00	2.00	0.06	16	1.25	1029.6
14"	13.25	30.00		22.00	44.45	23.00	20.25	16.25	2.12	0.06	20	1.25	1953.3
16"	15.25	33.00		25.20	56.37	25.50	22.50	18.50	2.25	0.06	20	1.38	2590.4
18"	17.00	36.00		25.20	60.05	28.00	24.75	21.00	2.37	0.06	24	1.38	2868.2
20"	19.00	39.00	17.00	23.60	61.38	30.50	27.00	23.00	2.50	0.06	24	1.38	3686.1
24"	23.00	45.00	17.80	25.40	76.38	36.00	32.00	27.25	2.75	0.06	24	1.63	5657.1
30"	29.00	55.00	20.2	31.50	127.13	43.00	39.25	33.75	3.62	0.06	28	1.88	10868.8
36"	34.50	68.00	24.1	31.50	153.11	50.00	46.00	40.25	4.12	0.06	32	2.00	15788.8

OPTIONS	
FIGURE NO.	OPTIONS
1305-8 (as shown)	API Trim 8 (13Cr/HF)
1305-5N	API Trim 5 (HF/HF) to NACE
1305-12N	API Trim 12 (316/HF) to NACE

MATERIAL LIST		
No.	PART NAME	Material
1	Body	ASTM A216 Gr. WCB
4	Wedge	ASTM A216 Gr. WCB + 13Cr
5	Stem	ASTM A182 Gr.F6A
9	Bonnet	ASTM A216 Gr. WCB
11	Gasket	304+Flexible Graphite
12	Seat Ring	ASTM A105+STL#6
14	Packing	Flexible Graphite
15	Gland	ASTM A276 Gr.410
16	Eye Nut	ASTM A194 Gr.2H
17	Packing	Stainless Steel Wire + Graphite
18	Sleeve	ASTM / ANSI 1020
19	Handwheel	ASTM A536 Gr.65-45-12
20	Rivet	SS304
22	Stem Nut	ASTM A439 Gr.D-2
24	Handwheel Nut	ASTM / ANSI 1020
25	Name Plate	SS304
35	Bolt	ASTM A193 Gr.B7
37	Nut	ASTM A194 Gr.2H
40	Eye Bolt	ASTM A193 Gr.B7
47	Gland Flange	ASTM A216 Gr.WCB
48	Pin	ASTM A29 Gr.1035
52	Back Seat	ASTM A276 Gr.410
53	Oil Filler	Carbon Steel
55	Spacer	ASTM A276 Gr. 410
56	Bearing	UNS 52100
65	Gear Box	BA-1 (20")/BA-2 (24",30")/BAA-3(36")
78	Yoke	ASTM A216 Gr. WCB
79	Bolt	ASTM A193 Gr. B7
79-1	Nut	ASTM A194 Gr. 2H

CLASS 300 FIG NO. 1305-8W

AVAILABLE IN 2"-36"



DIMENSIONS							
SIZE	SCH	PORT	L	ØD	BW	T	Wt(lbs)
2"	STD	2.00	8.50	2.07	2.44	0.31	49.5
2-1/2"	STD	2.50	9.50	2.47	2.96	0.35	78.5
3"	STD	3.00	11.12	3.07	3.59	0.39	101.0
4"	STD	4.00	12.00	4.03	4.62	0.43	135.5
6"	STD	6.00	15.88	6.07	6.78	0.47	295.3
8"	STD	8.00	16.50	7.98	8.78	0.55	444.5
10"	STD	10.00	18.00	10.02	10.94	0.59	719.5

DIMENSIONS							
SIZE	SCH	PORT	L	ØD	BW	T	Wt(lbs)
12"	STD	12.00	19.75	12.00	12.97	0.63	1009.8
14"	STD	13.25	30.00	13.25	14.25	0.67	1895.2
16"	STD	15.25	33.00	15.25	16.25	0.67	2575.3
18"	STD	17.00	36.00	17.25	18.28	0.67	2846.5
20"	STD	19.00	39.00	19.25	20.31	0.67	3601.8
24"	STD	23.00	45.00	23.25	24.38	0.67	5610.0
30"	STD	29.00	55.00	29.38	30.38	0.67	
36"	STD	34.49	68.00	35.38	36.50	0.67	

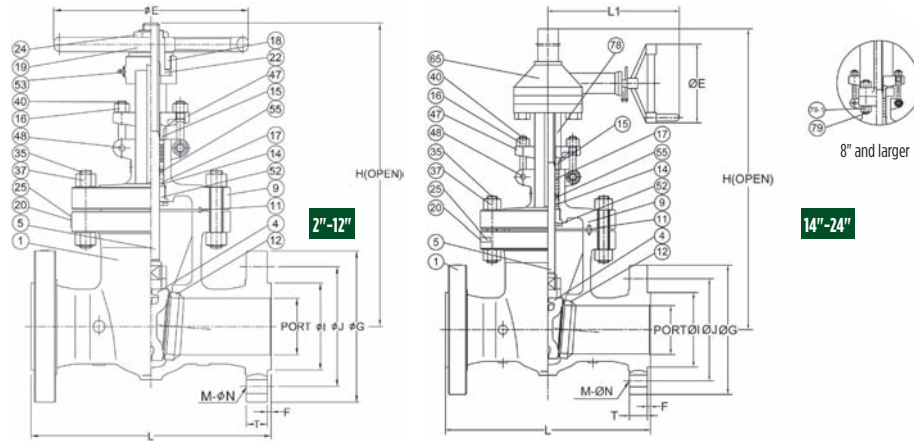
OPTIONS	
FIGURE NO.	OPTIONS
1305-8W (as shown)	API Trim 8 (13Cr/HF)
1305-5W-N	API Trim 5 (HF/HF) to NACE
1305-12W-N	API Trim 12 (316/HF) to NACE

MATERIAL LIST		
No.	PART NAME	Material
1	Body	ASTM A216 Gr. WCB
4	Wedge	ASTM A216 Gr. WCB + 13Cr
5	Stem	ASTM A182 Gr.F6A
9	Bonnet	ASTM A216 Gr. WCB
11	Gasket	304+Flexible Graphite
12	Seat Ring	ASTM A105+STL#6
14	Packing	Flexible Graphite
15	Gland	ASTM A276 Gr.410
16	Eye Nut	ASTM A194 Gr.2H
17	Packing	Stainless Steel Wire + Graphite
18	Sleeve	ASTM / ANSI 1020
19	Handwheel	ASTM A536 Gr.65-45-12
20	Rivet	SS304
22	Stem Nut	ASTM A439 Gr.D-2
24	Handwheel Nut	ASTM / ANSI 1020
25	Name Plate	SS304
35	Bolt	ASTM A193 Gr.B7
37	Nut	ASTM A194 Gr.2H
40	Eye Bolt	ASTM A193 Gr.B7
47	Gland Flange	ASTM A216 Gr.WCB
48	Pin	ASTM A29 Gr.1035
52	Back Seat	ASTM A276 Gr.410
53	Oil Filler	Carbon Steel
55	Spacer	ASTM A276 Gr.410
65	Gearbox	BA-1 / BA-2 / BAA-3
78	Yoke	ASTM A276 Gr.WCB
79	Bolt	ASTM A193 Gr. B7
79-1	Nut	ASTM A194 Gr. 2H

CAST CARBON STEEL GATE VALVES 06

CLASS 600 FIG NO. 1605-8

AVAILABLE IN 2"-24"



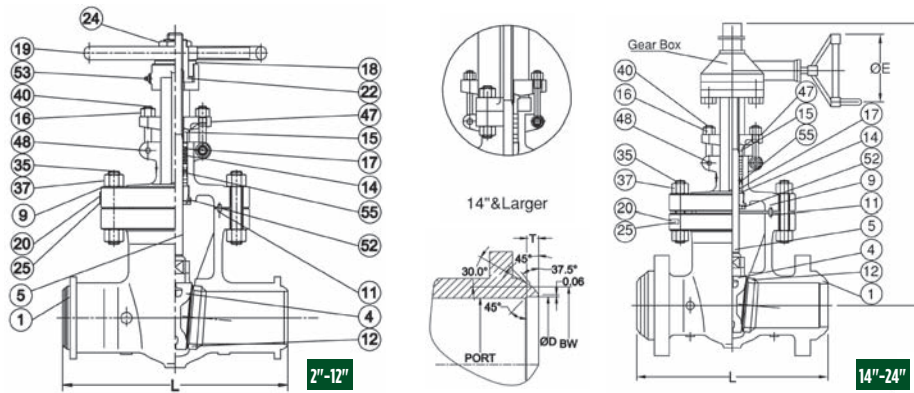
DIMENSIONS													
SIZE	PORT	L	ØE	H	ØG	ØJ	ØI	T	F	M	L1	ØN	Wt(lbs)
2"	2.00	11.50	9.84	17.32	6.50	5.00	3.62	1.00	0.25	8		0.75	72.8
2-1/2"	2.50	13.00	9.84	19.80	7.50	5.88	4.12	1.12	0.25	8		0.88	127.9
3"	3.00	14.00	11.81	21.46	8.25	6.62	5.00	1.25	0.25	8		0.88	149.9
4"	4.00	17.00	13.78	26.10	10.75	8.50	6.19	1.50	0.25	8		1.00	246.9
6"	6.00	22.00	19.68	32.99	14.00	11.50	8.50	1.88	0.25	12		1.13	493.8
8"	7.87	26.00	22.05	43.78	16.50	13.75	10.62	2.19	0.25	12		1.25	967.8
10"	9.75	31.00	28.38	39.77	20.00	17.00	12.75	2.50	0.25	16		1.38	1587.3
12"	11.75	33.00	24.02	75.67	22.00	19.25	15.00	2.62	0.25	20		1.38	2442.7
14"	12.87	35.00	25.20	64.69	23.75	20.75	16.25	2.75	0.25	20	20.20	1.50	2840.0
16"	14.75	39.00	25.20	70.79	27.00	23.75	18.50	3.00	0.25	20	20.20	1.63	4013.1
18"	16.50	43.00	25.20	82.72	29.25	25.75	21.00	3.25	0.25	20	20.20	1.75	4740.8
20"	18.25	47.00	25.20	88.94	32.00	28.50	23.00	3.50	0.25	24	20.20	1.75	5600.7
24"	22.00	55.00	31.50	104.33	37.00	33.00	27.25	4.00	0.25	24	24.13	2.00	8084.3

OPTIONS	
FIGURE NO.	OPTIONS
1605-8 (as shown)	API Trim 8 (13Cr/HF)
1605-5N	API Trim 5 (HF/HF) to NACE
1605-12N	API Trim 12 (316/HF) to NACE

MATERIAL LIST		
No.	PART NAME	Material
1	Body	ASTM A216 Gr. WCB
4	Wedge	ASTM A216 Gr. WCB + 13Cr
5	Stem	ASTM A182 Gr.F6A
9	Bonnet	ASTM A216 Gr. WCB
11	Gasket	Ring Joint - Soft Iron
12	Seat Ring	ASTM A105+STL#6
14	Packing	Stainless Steel Wire + Flexible Graphite
15	Gland	ASTM A276 Gr.410
16	Eye Nut	ASTM A194 Gr.2H
17	Packing	Stainless Steel Wire + Flexible Graphite
18	Sleeve	ASTM / ANSI 1020
19	Handwheel	ASTM A536 Gr.65-45-12
20	Rivet	SS304
22	Stem Nut	ASTM A439 Gr.D-2
24	Lock Nut	ASTM / ANSI 1020
25	Name Plate	SS304
35	Bolt	ASTM A193 Gr.B7
37	Nut	ASTM A194 Gr.2H
40	Eye Bolt	ASTM A193 Gr.B7
47	Gland Flange	ASTM A216 Gr.WCB
48	Pin	ASTM A29 Gr.1045
52	Back Seat	ASTM A276 Gr.410
53	Oil Filler	Carbon Steel
55	Distance Ring	ASTM A276 Gr. 410
65	Gear Box	
78	Yoke	ASTM A216 Gr.WCB
79	Bolt	ASTM A193 Gr. B7
79-1	Nut	ASTM A194 Gr. 2H

CLASS 600 FIG NO. 1605-8W

AVAILABLE IN 2"-24"



DIMENSIONS										
SIZE	SCH	PORT	L	ØD	BW	T	H	ØE	Wt(lbs)	
2"	XS	2.00	11.50	1.94	2.44	0.35			78.0	
2-1/2"	XS	2.50	13.00	2.32	2.96	0.43			115	
3"	XS	3.00	14.00	2.90	3.59	0.47			184	
4"	XS	4.00	17.00	3.83	4.62	0.51			278	
6"	XS	6.00	22.00	5.76	6.78	0.67			531	
8"	XS	7.87	26.00	7.63	8.78	0.79			900	
10"	XS	9.75	31.00	9.75	10.94	0.79			1367	
12"	XS	11.75	33.00	11.75	12.97	0.79			1686	
14"	XS	12.87	35.00	13.00	14.25	0.75	64.69	25.20	2795.9	
16"	XS	14.75	39.00	15.00	16.25	0.75	70.79	25.20	4013.1	
18"	XS	16.50	43.00	17.00	18.28	0.75	82.72	25.20	4740.8	
20"	XS	18.25	47.00	19.00	20.31	0.75	88.94	25.20	5600.7	
24"	XS	22.00	55.00	23.00	24.38	0.75	104.3	31.50	8048.3	

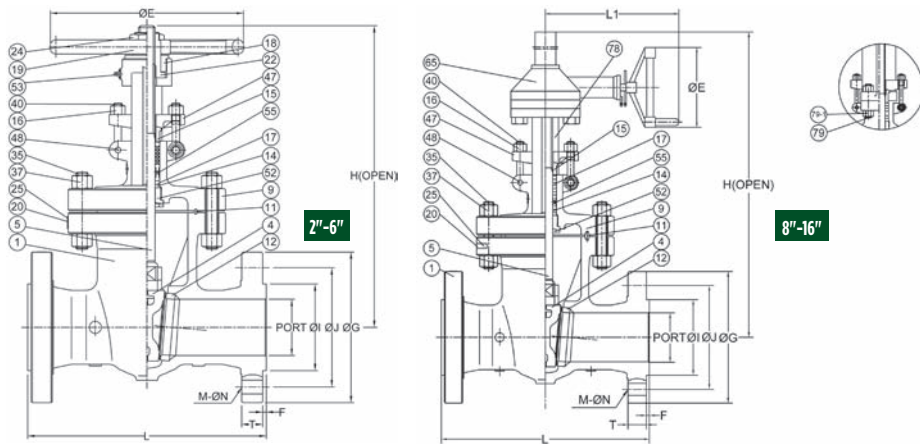
OPTIONS	
FIGURE NO.	OPTIONS
1605-8W (as shown)	API Trim 8 (13Cr/HF)
1605-5W-N	API Trim 5 (HF/HF) to NACE
1605-12W-N	API Trim 12 (316/HF) to NACE

MATERIAL LIST		
No.	PART NAME	Material
1	Body	ASTM A216 Gr. WCB
4	Wedge	ASTM A216 Gr. WCB + 13Cr
5	Stem	ASTM A182 Gr.F6A
9	Bonnet	ASTM A216 Gr. WCB
11	Gasket	Ring Joint - Soft Iron
12	Seat Ring	ASTM A105+STL#6
14	Packing	Stainless Steel Wire + Graphite
15	Gland	ASTM A276 Gr.410
16	Eye Nut	ASTM A194 Gr.2H
17	Packing	Stainless Steel Wire + Graphite
18	Sleeve	ASTM / ANSI 1020
19	Handwheel	ASTM A536 Gr.65-45-12
20	Rivet	SS304
22	Stem Nut	ASTM A439 Gr.D-2
24	Lock Nut	ASTM / ANSI 1020
25	Name Plate	SS304
35	Bolt	ASTM A193 Gr.B7
37	Nut	ASTM A194 Gr.2H
40	Eye Bolt	ASTM A193 Gr.B7
47	Gland Flange	ASTM A216 Gr.WCB
48	Pin	ASTM A29 Gr.1045
52	Back Seat	ASTM A276 Gr.410
53	Oil Filler	Carbon Steel
55	Distance Ring	ASTM A276 Gr.410
79	Bolt	ASTM A193 Gr.B7
79-1	Nut	ASTM A194 Gr.2H

07 CAST CARBON STEEL GATE VALVES

CLASS 900 FIG NO. 1905-5

AVAILABLE IN 2"-16"



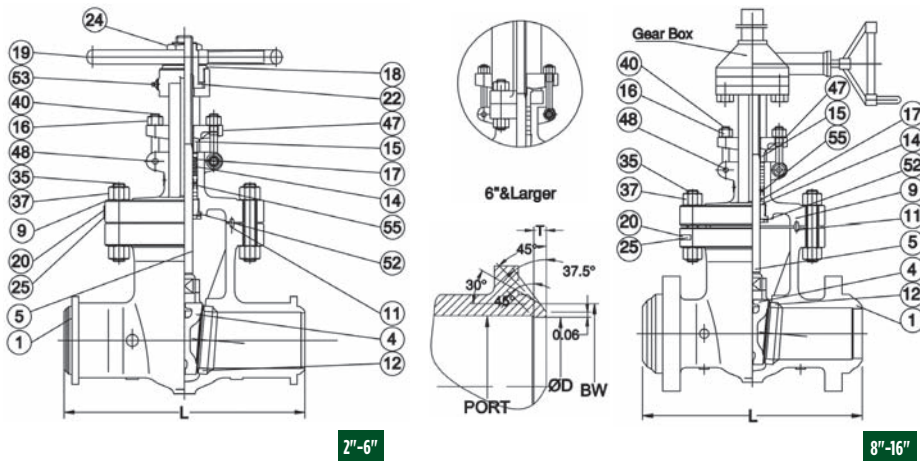
DIMENSIONS													
SIZE	PORT	L	ØE	H	ØG	ØJ	ØI	T	F	M	L1	ØN	Wt(lbs)
2"	1.87	14.50	13.78	21.54	8.50	6.50	3.62	1.50	0.25	8		1.00	198.5
3"	2.87	15.00	15.75	25.51	9.50	7.50	5.00	1.50	0.25	8		1.00	271.2
4"	3.87	18.00	17.72	28.70	11.50	9.25	6.19	1.75	0.25	8		1.25	326.3
6"	5.75	24.00	22.05	40.98	15.00	12.50	8.50	2.19	0.25	12		1.25	926.1
8"	7.50	29.00	23.62	49.61	18.50	15.50	10.62	2.50	0.25	12	17.32	1.50	1433.3
10"	9.37	33.00	23.62	62.60	21.50	18.50	12.75	2.75	0.25	16	17.32	1.50	2557.8
12"	11.12	38.00	25.20	70.67	24.00	21.00	15.00	3.12	0.25	20	20.20	1.50	3748.5
14"	12.25	40.50	25.20	79.72	25.25	22.00	16.25	3.38	0.25	20	20.20	1.63	5071.5
16"	14.00	44.50	31.50	85.43	27.75	24.75	18.50	3.50	0.25	20	23.15	1.75	6063.8

OPTIONS	
FIGURE NO.	OPTIONS
1905-8	API Trim 8 (13Cr/HF)
1905-5N (as shown)	API Trim 5 (HF/HF) to NACE
1905-12N	API Trim 12 (316/HF) to NACE

MATERIAL LIST		
No.	PART NAME	Material
1	Body	ASTM A216 Gr. WCB
4	Wedge	ASTM A216 Gr. WCB + STL#6
5	Stem	ASTM A182 Gr.F6A
9	Bonnet	ASTM A216 Gr. WCB
11	Gasket	ASTM A29 Gr. 1008
12	Seat Ring	ASTM A105+STL#6
14	Packing	Stainless Steel Wire + Flexible Graphite
15	Gland	ASTM A276 Gr.410
16	Eye Nut	ASTM A194 Gr.2H
17	Packing	Stainless Steel Wire + Flexible Graphite
18	Sleeve	ASTM A29 Gr. 1035
19	Handwheel	ASTM A536 Gr.65-45-12
20	Rivet	SS304
22	Stem Nut	ASTM A439 Gr.D-2
24	Lock Nut	ASTM A29 Gr. 1035
25	Name Plate	SS304
35	Bolt	ASTM A193 Gr.B7
37	Nut	ASTM A194 Gr.2H
40	Eye Bolt	ASTM A193 Gr.B7
47	Gland Flange	ASTM A216 Gr.WCB
48	Pin	ASTM A29 Gr.1035
52	Back Seat	ASTM A276 Gr.410
53	Oil Filler	ASTM A570 Gr.A
55	Distance Ring	ASTM A276 Gr.410
65	Gear Box	
78	Yoke	ASTM A216 Gr. WCB
79	Bolt	ASTM A193 Gr. B7
79-1	Nut	ASTM A194 Gr. 2H

CLASS 900 FIG NO. 1905-5W

AVAILABLE IN 2"-16"



DIMENSIONS							
SIZE	SCH	PORT	L	ØD	BW	T	Wt(lbs)
2"	160	1.87	14.50	1.69	2.44	0.55	187.2
3"	160	2.87	15.00	2.64	3.59	0.67	253.3
4"	160	3.87	18.00	3.44	4.62	0.83	290.7
6"	160	5.75	24.00	5.19	6.78	1.10	832.1
8"	160	7.50	29.00	6.81	8.78	1.38	1392.1
10"	160	9.37	33.00	8.50	10.94	1.69	2480.2
12"	160	11.12	38.00	10.12	12.97	1.97	3652.0
14"	160	12.25	40.50	11.19	14.25	2.13	4940.5
16"	160	14.00	44.50	12.81	16.25	2.40	5982.4

OPTIONS	
FIGURE NO.	OPTIONS
1905-8W	API Trim 8 (13Cr/HF)
1905-5W-N (as shown)	API Trim 5 (HF/HF) to NACE
1905-12W-N	API Trim 12 (316/HF) to NACE

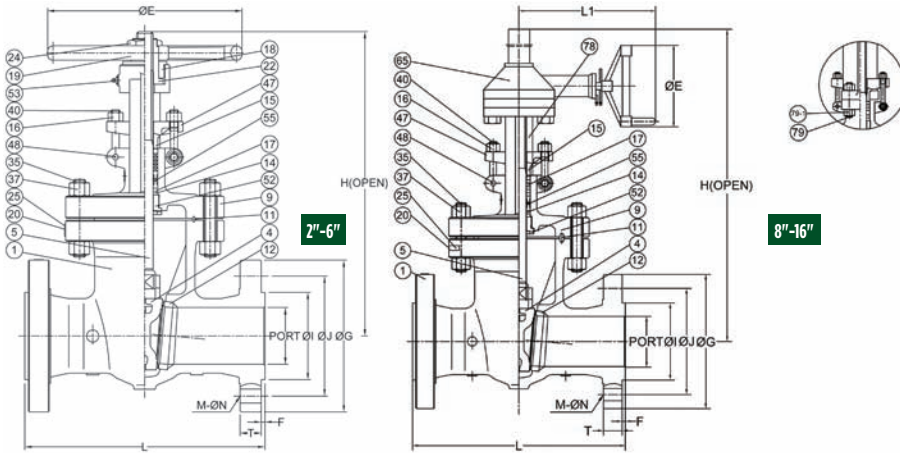
MATERIAL LIST		
No.	PART NAME	Material
1	Body	ASTM A216 Gr. WCB
4	Wedge	ASTM A216 Gr. WCB + STL#6
5	Stem	ASTM A182 Gr.F6A
9	Bonnet	ASTM A216 Gr. WCB
11	Gasket	ASTM A29 Gr. 1008
12	Seat Ring	ASTM A105+STL#6
14	Packing	Stainless Steel Wire + Graphite
15	Gland	ASTM A276 Gr.410
16	Eye Nut	ASTM A194 Gr.2H
17	Packing	Stainless Steel Wire + Graphite
18	Sleeve	ASTM A29 Gr.1035
19	Handwheel	ASTM A536 Gr.65-45-18
20	Rivet	SS304
22	Stem Nut	ASTM A349 Gr.D-2
24	Lock Nut	ASTM / ANSI 1020
25	Name Plate	SS304
35	Bolt	ASTM A193 Gr.B7
37	Nut	ASTM A194 Gr.2H
40	Eye Bolt	ASTM A193 Gr.B7
47	Gland Flange	ASTM A216 Gr.WCB
48	Pin	ASTM A29 Gr.1035
52	Back Seat	ASTM A276 Gr.410
53	Oil Filler	ASTM A570 Gr.A
55	Distance Ring	ASTM A276 Gr.410

CAST CARBON STEEL GATE VALVES 08

CLASS 1500 FIG NO. 1505-5

AVAILABLE IN 2"-16"

OPTIONS	
FIGURE NO.	OPTIONS
1505-8	API Trim 8 (13Cr/HF)
1505-5N (as shown)	API Trim 5 (HF/HF) to NACE
1505-12N	API Trim 12 (316/HF) to NACE



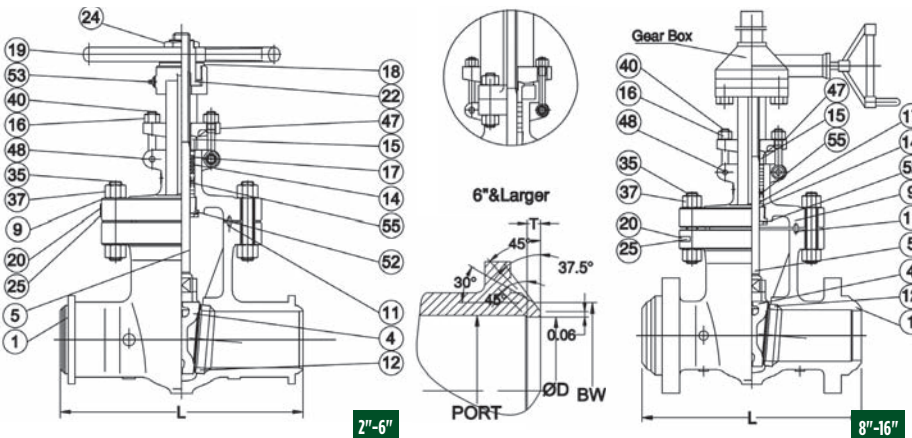
DIMENSIONS													
SIZE	PORT	L	ØE	H	ØG	ØJ	Ø1	T	F	M	L1	ØN	Wt(lbs)
2"	1.87	14.50	13.78	21.54	8.50	6.50	3.62	1.50	0.25	8		1.00	198.5
3"	2.75	18.50	17.72	31.73	10.50	8.00	5.00	1.88	0.25	8		1.25	529.2
4"	3.62	21.50	19.69	34.92	12.25	9.50	6.19	2.12	0.25	8		1.38	743.1
6"	5.37	27.75	25.20	42.48	15.50	12.50	8.50	3.25	0.25	12		1.50	1499.4
8"	7.00	32.75	23.62	53.94	19.00	15.50	10.62	3.62	0.25	12	17.32	1.75	2707.7
10"	8.75	39.00	25.20	59.84	23.00	19.00	12.75	4.25	0.25	12	20.20	2.00	5023.0
12"	10.37	44.50	25.20	65.00	26.50	22.50	15.00	4.88	0.25	16	20.20	2.13	7188.3
14"	11.37	49.50	31.50	76.57	29.50	25.00	16.25	5.25	0.25	16	23.15	2.38	9040.5
16"	13.00	54.50	31.50	88.58	32.50	27.75	18.50	5.75	0.25	16	23.15	2.63	13141.8

MATERIAL LIST		
No.	PART NAME	Material
1	Body	ASTM A216 Gr. WCB
4	Wedge	ASTM A216 Gr. WCB + STL#6
5	Stem	ASTM A182 Gr.F6A
9	Bonnet	ASTM A216 Gr. WCB
11	Gasket	ASTM A29 Gr. 1008
12	Seat Ring	ASTM A105+STL#6
14	Packing	Stainless Steel Wire + Flexible Graphite
15	Gland	ASTM A276 Gr.410
16	Eye Nut	ASTM A194 Gr.2H
17	Packing	Stainless Steel Wire + Flexible Graphite
18	Sleeve	ASTM A29 Gr. 1035
19	Handwheel	ASTM A536 Gr.65-45-12
20	Rivet	SS304
22	Stem Nut	ASTM A439 Gr.D-2
24	Lock Nut	ASTM A29 Gr. 1035
25	Name Plate	SS304
35	Bolt	ASTM A193 Gr.B7
37	Nut	ASTM A194 Gr.2H
40	Eye Bolt	ASTM A193 Gr.B7
47	Gland Flange	ASTM A216 Gr.WCB
48	Pin	ASTM A29 Gr.1035
52	Back Seat	ASTM A276 Gr.410
53	Oil Filler	ASTM A570 Gr.A
55	Distance Ring	ASTM A276 Gr.410
65	Gear Box	
78	Yoke	ASTM A216 Gr. WCB
79	Bolt	ASTM A193 Gr. B7
79-1	Nut	ASTM A194 Gr. 2H

CLASS 1500 FIG NO. 1505-5W

AVAILABLE IN 2"-16"

OPTIONS	
FIGURE NO.	OPTIONS
1505-8W	API Trim 8 (13Cr/HF)
1505-5W-N (as shown)	API Trim 5 (HF/HF) to NACE
1505-12W-N	API Trim 12 (316/HF) to NACE



DIMENSIONS							
SIZE	SCH	PORT	L	ØD	BW	T	Wt(lbs)
2"	160	1.87	14.50	1.69	2.44	0.55	231.3
3"	160	2.75	18.50	2.64	3.59	0.67	495.6
4"	160	3.62	21.50	3.44	4.62	0.83	693.8
6"	160	5.37	27.75	5.19	6.78	1.10	652.0
8"	160	7.00	32.75	6.81	8.78	1.38	2654.2
10"	160	8.75	39.00	8.50	10.94	1.69	4922.9
12"	160	10.37	44.50	10.12	12.97	1.97	7081.5
14"	160	11.37	49.50	11.19	14.25	2.13	8806.2
16"	160	14.00	54.50	12.81	16.25	2.40	13035.1

MATERIAL LIST		
No.	PART NAME	Material
1	Body	ASTM A216 Gr. WCB
4	Wedge	ASTM A216 Gr. WCB + STL#6
5	Stem	ASTM A182 Gr.F6A
9	Bonnet	ASTM A216 Gr. WCB
11	Gasket	ASTM A29 Gr. 1008
12	Seat Ring	ASTM A105+STL#6
14	Packing	Stainless Steel Wire + Graphite
15	Gland	ASTM A276 Gr.410
16	Eye Nut	ASTM A194 Gr.2H
17	Packing	Stainless Steel Wire + Graphite
18	Sleeve	ASTM A29 Gr.1035
19	Handwheel	ASTM A536 Gr.65-45-18
20	Rivet	SS304
22	Stem Nut	ASTM A349 Gr.D-2
24	Lock Nut	ASTM / ANSI 1020
25	Name Plate	SS304
35	Bolt	ASTM A193 Gr.B7
37	Nut	ASTM A194 Gr.2H
40	Eye Bolt	ASTM A193 Gr.B7
47	Gland Flange	ASTM A216 Gr.WCB
48	Pin	ASTM A29 Gr.1035
52	Back Seat	ASTM A276 Gr.410
53	Oil Filler	ASTM A570 Gr.A
55	Distance Ring	ASTM A276 Gr.410



CAST CARBON STEEL GLOBE VALVES

Warren Valve's line of Cast Carbon Steel Globe Valves are offered in classes 150, 300, 600, 900, and 1500. For oil and gas refineries and petrochemical plants, Warren's carbon steel valves are an economical and quality choice.

Warren Valves are subject to rigorous quality inspections. Our comprehensive evaluation includes on-site audits, inspection at the source, receiving inspections, and destructive material testing. Mill test reports are always available.

FEATURES

- OS&Y
- Rising Stem
- Plug Disc
- Bolted Bonnet
- Welded Seat Rings

GENERAL DESIGN STANDARDS

Cast Carbon Steel Gate Valves	
Design	ANSI B16.34 ¹
Testing	API 598 ²
Pressure Temperature Rating	ANSI B16.34
Face to Face Dimensions	ANSI B16.10
End Flange Dimensions	ANSI B16.5
Weld End Dimensions	ANSI B16.25
Visual Inspection of Castings	MSS-SP-55

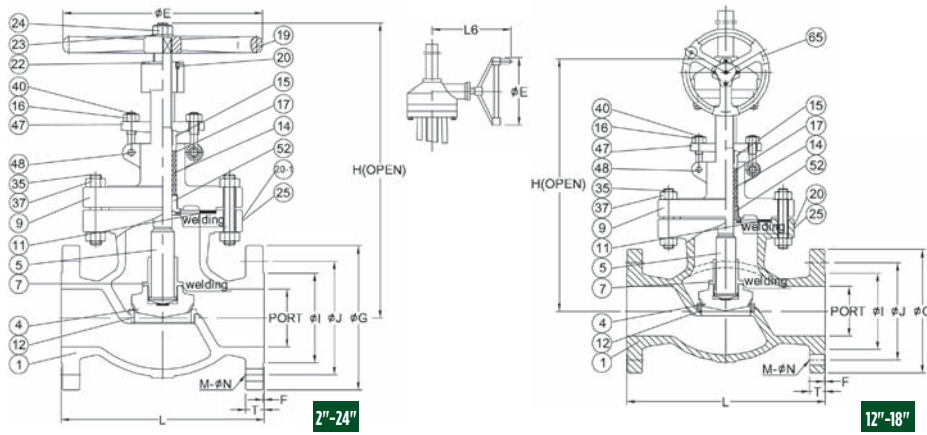
¹ Conforms to the applicable requirements of API 600

² Every Warren Valve is 100% pressure tested according to API 598 requirements. MTRs are available upon request.

CAST CARBON STEEL GLOBE VALVES 10

CLASS 150 FIG NO. 2155-8

AVAILABLE IN 2"-24"



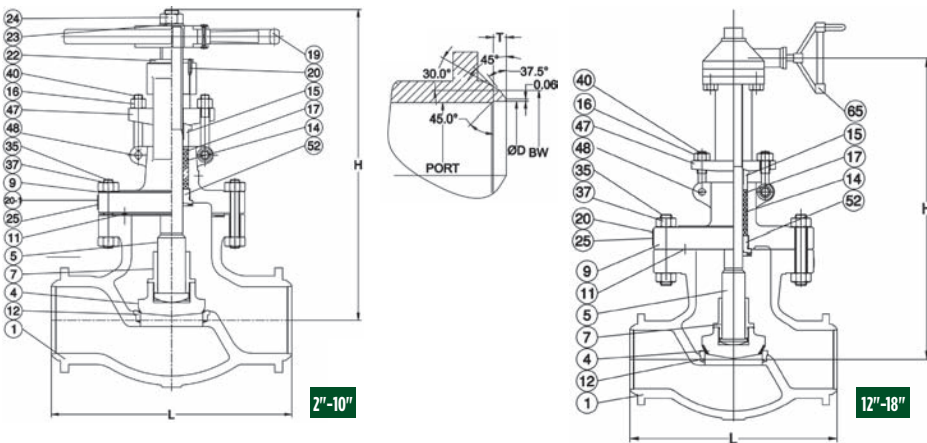
OPTIONS	
FIGURE NO.	OPTIONS
2155-8 (as shown)	API Trim 8 (13Cr/HF)
2155-5N	API Trim 5 (HF/HF) to NACE
2155-12N	API Trim 12 (316/HF) to NACE

MATERIAL LIST		
No.	PART NAME	Material
1	Body	ASTM A216 Gr. WCB
4	Disc	ASTM A105+13cr
5	Stem	ASTM A182 Gr.F6A
7	Disc Cover	ASTM A276 Gr.410
9	Bonnet	ASTM A216 Gr. WCB
11	Gasket	304+Flexible Graphite
12	Seat Ring	ASTM A105+STL#6
14	Packing	Flexible Graphite
15	Gland	ASTM A276 Gr.410
16	Eye Nut	ASTM A194 Gr.2H
17	Packing	Stainless Steel Wire + Graphite
19	Handwheel	ASTM A536 Gr.65-45-12
20	Screw	Carbon Steel
20-1	Rivet	SS304
22	Stem Nut	ASTM A439 Gr.D-2
23	Washer	Carbon Steel
24	Nut	Carbon Steel
25	Name Plate	SS304
35	Bolt	ASTM A193 Gr.B7
37	Nut	ASTM A194 Gr.2H
40	Eye Bolt	ASTM A193 Gr.B7
47	Gland Flange	ASTM A216 Gr.WCB
48	Pin	ASTM A29 Gr.1035
52	Back Seat	ASTM A276 Gr.410
65	Gearbox	BA-1 (12")/BA-2(14"/16"/18")

DIMENSIONS													
SIZE	PORT	L	L6	ØE	H	ØG	ØJ	ØI	T	F	M	ØN	Wt (lbs)
2"	2.00	8.00		7.87	13.86	6.00	4.75	3.62	0.75	0.06	4	0.75	57.3
2-1/2"	2.50	8.50		9.84	14.65	7.00	5.50	4.12	0.87	0.06	4	0.75	75.0
3"	3.00	9.50		9.84	15.04	7.50	6.00	5.00	0.94	0.06	4	0.75	83.8
4"	4.00	11.50		11.80	19.02	9.00	7.50	6.19	0.94	0.06	8	0.75	130.1
6"	6.00	16.00		13.78	25.28	11.00	9.50	8.50	1.00	0.06	8	0.88	227.1
8"	8.00	19.50		15.70	24.13	13.50	11.75	10.62	1.12	0.06	8	0.88	341.7
10"	10.00	24.50		17.70	29.17	16.00	14.25	12.75	1.18	0.06	12	1.00	617.3
12"	12.00	27.50	17.00	18.10	32.70	19.00	17.00	15.00	1.25	0.06	12	1.00	626.1
14"	13.25	31.00	17.80	20.80	36.23	21.00	18.75	16.25	1.37	0.06	12	1.13	815.7
16"	15.25	36.00	17.80	20.80	39.14	23.50	21.25	18.50	1.44	0.06	16	1.13	1102.3
18"	17.25	38.50	17.80	20.80	40.95	25.00	22.75	21.00	1.56	0.06	16	1.25	1675.5

CLASS 150 FIG NO. 2155-8W

AVAILABLE IN 2"-24"



OPTIONS	
FIGURE NO.	OPTIONS
2155-8W (as shown)	API Trim 8 (13Cr/HF)
2155-5W-N	API Trim 5 (HF/HF) to NACE
2155-12W-N	API Trim 12 (316/HF) to NACE

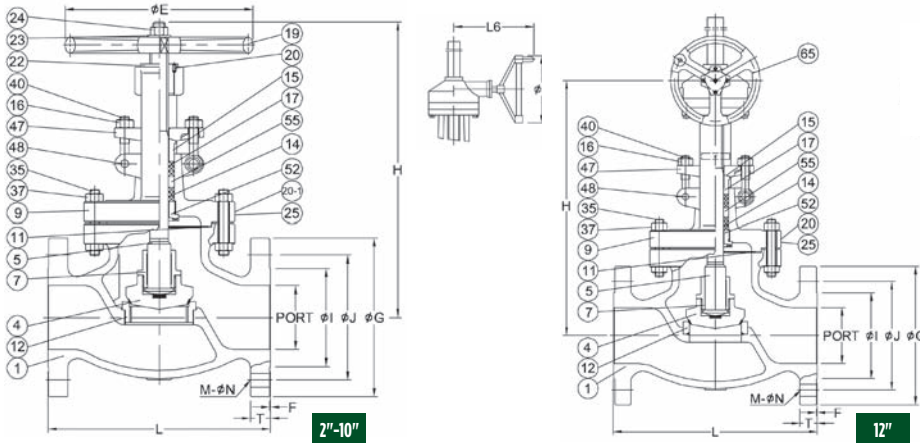
MATERIAL LIST		
No.	PART NAME	Material
1	Body	ASTM A216 Gr. WCB
4	Disc	ASTM A105+13cr
5	Stem	ASTM A182 Gr.F6A
7	Disc Cover	ASTM A276 Gr.410
9	Bonnet	ASTM A216 Gr. WCB
11	Gasket	304+Flexible Graphite
12	Seat Ring	ASTM A105+STL#6
14	Packing	Flexible Graphite
15	Gland	ASTM A276 Gr.410
16	Eye Nut	ASTM A194 Gr.2H
17	Packing	Stainless Steel Wire + Graphite
19	Handwheel	ASTM A536 Gr.65-45-12
20	Screw	Carbon Steel
20-1	Rivet	SS304
22	Stem Nut	ASTM A439 Gr.D-2
23	Washer	Carbon Steel
24	Nut	Carbon Steel
25	Name Plate	SS304
35	Bolt	ASTM A193 Gr.B7
37	Nut	ASTM A194 Gr.2H
40	Eye Bolt	ASTM A193 Gr.B7
47	Gland Flange	ASTM A216 Gr.WCB
48	Pin	ASTM A29 Gr.1035
52	Back Seat	ASTM A276 Gr.410
65	Gearbox	BA-1 / BA-2

DIMENSIONS								
SIZE	SCH	PORT	L	BW	ØD	T	Wt (lbs)	
2"	STD	2.00	8.00	2.44	2.07	0.31	53.1	
2-1/2"	STD	2.50	8.50	2.96	2.47	0.35	71.5	
3"	STD	3.00	9.50	3.59	3.07	0.39	79.7	
4"	STD	4.00	11.50	4.62	4.03	0.43	120.5	
6"	STD	6.00	16.00	6.78	6.06	0.47	211.5	
8"	STD	8.00	19.50	8.78	7.98	0.55	315.8	
10"	STD	10.00	24.50	10.94	10.02	0.59	602.4	
12"	STD	12.00	27.50	12.97	12.00	0.63	605.2	
14"	STD	13.25	31.00	14.25	13.25	0.67	798.5	
16"	STD	15.25	36.00	16.25	15.25	0.67	1075.6	
18"	STD	17.25	38.50	18.28	17.25	0.67	1608.8	

11 CAST CARBON STEEL GLOBE VALVES

CLASS 300 FIG NO. 2305-8

AVAILABLE IN 2"-24"



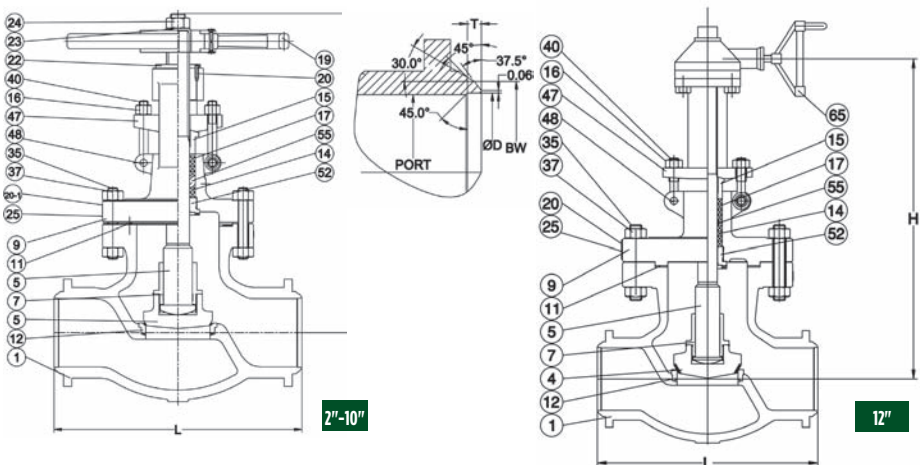
DIMENSIONS													
SIZE	PORT	L	L6	ØE	H	ØG	ØJ	ØI	T	F	M	ØN	Wt (lbs)
2"	2.00	10.50		7.90	14.17	6.50	5.00	3.62	0.87	0.06	8	0.75	70.5
2-1/2"	2.50	11.50		9.80	16.34	7.50	5.88	4.12	1.00	0.06	8	0.88	81.6
3"	3.00	12.50		9.80	17.20	8.25	6.62	5.00	1.12	0.06	8	0.88	116.8
4"	4.00	14.00		13.80	21.06	10.00	7.88	6.19	1.25	0.06	8	0.88	174.2
6"	6.00	17.50		15.80	24.09	12.50	10.62	8.50	1.44	0.06	12	0.88	337.3
8"	8.00	22.00		17.70	34.53	15.00	13.00	10.62	1.62	0.06	12	1.00	643.7
10"	10.00	24.50		22.00	37.37	17.50	15.25	12.75	1.87	0.06	16	1.13	727.5
12"	12.00	28.00	17.80	20.80	40.63	20.50	17.75	15.00	2.00	0.06	16	1.25	1040.6

OPTIONS	
FIGURE NO.	OPTIONS
2305-8 (as shown)	API Trim 8 (13Cr/HF)
2305-5N	API Trim 5 (HF/HF) to NACE
2305-12N	API Trim 12 (316/HF) to NACE

MATERIAL LIST		
No.	PART NAME	Material
1	Body	ASTM A216 Gr. WCB
4	Disc	ASTM A105+13cr
5	Stem	ASTM A182 Gr.F6A
7	Disc Cover	ASTM A276 Gr.410
9	Bonnet	ASTM A216 Gr. WCB
11	Gasket	304+Flexible Graphite
12	Seat Ring	ASTM A105+STL#6
14	Packing	Flexible Graphite
15	Gland	ASTM A276 Gr.410
16	Eye Nut	ASTM A194 Gr.2H
17	Packing	Stainless Steel Wire + Graphite
19	Handwheel	ASTM A536 Gr.65-45-12
20	Screw	Carbon Steel
20-1	Rivet	SS304
22	Stem Nut	ASTM A439 Gr.D-2
23	Washer	Carbon Steel
24	Nut	Carbon Steel
25	Name Plate	SS304
35	Bolt	ASTM A193 Gr.B7
37	Nut	ASTM A194 Gr.2H
40	Eye Bolt	ASTM A193 Gr.B7
47	Gland Flange	ASTM A216 Gr.WCB
48	Pin	ASTM A29 Gr.1035
52	Back Seat	ASTM A276 Gr.410
55	Distance Ring	ASTM A276 Gr.410
65	Gear Box	BA-2

CLASS 300 FIG NO. 2305-8W

AVAILABLE IN 2"-24"



DIMENSIONS							
SIZE	SCH	PORT	L	BW	ØD	T	Wt (lbs)
2"	STD	2.00	10.50	2.44	2.07	0.31	69.5
2-1/2"	STD	2.50	11.50	2.96	2.47	0.35	76.5
3"	STD	3.00	12.50	3.59	3.07	0.39	108.6
4"	STD	4.00	14.00	4.62	4.03	0.43	159.4
6"	STD	6.00	17.50	6.78	6.07	0.47	311.2
8"	STD	8.00	22.00	8.78	7.98	0.55	629.6
10"	STD	10.00	24.50	10.94	10.02	0.59	709.8
12"	STD	12.00	28.00	12.97	12.00	0.63	1005.8

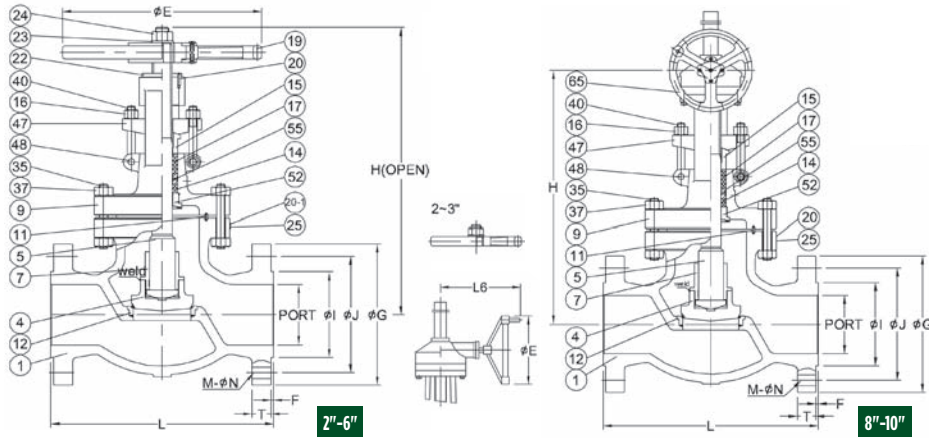
OPTIONS	
FIGURE NO.	OPTIONS
2305-8W (as shown)	API Trim 8 (13Cr/HF)
2305-5W-N	API Trim 5 (HF/HF) to NACE
2305-12W-N	API Trim 12 (316/HF) to NACE

MATERIAL LIST		
No.	PART NAME	Material
1	Body	ASTM A216 Gr. WCB
4	Disc	ASTM A105+13cr
5	Stem	ASTM A182 Gr.F6A
7	Disc Cover	ASTM A276 Gr.410
9	Bonnet	ASTM A216 Gr. WCB
11	Gasket	304+Flexible Graphite
12	Seat Ring	ASTM A105+STL#6
14	Packing	Flexible Graphite
15	Gland	ASTM A276 Gr.410
16	Eye Nut	ASTM A194 Gr.2H
17	Packing	Stainless Steel Wire + Graphite
19	Handwheel	ASTM A536 Gr.65-45-12
20	Screw	Carbon Steel
20-1	Rivet	SS304
22	Stem Nut	ASTM A439 Gr.D-2
23	Washer	Carbon Steel
24	Nut	Carbon Steel
25	Name Plate	SS304
35	Bolt	ASTM A193 Gr.B7
37	Nut	ASTM A194 Gr.2H
40	Eye Bolt	ASTM A193 Gr.B7
47	Gland Flange	ASTM A216 Gr.WCB
48	Pin	ASTM A29 Gr.1035
52	Back Seat	ASTM A276 Gr.410
55	Distance Ring	ASTM A276 Gr.410
65	Gear Box	BA-2

CAST CARBON STEEL GLOBE VALVES 12

CLASS 600 FIG NO. 2605-8

AVAILABLE IN 2"-16"



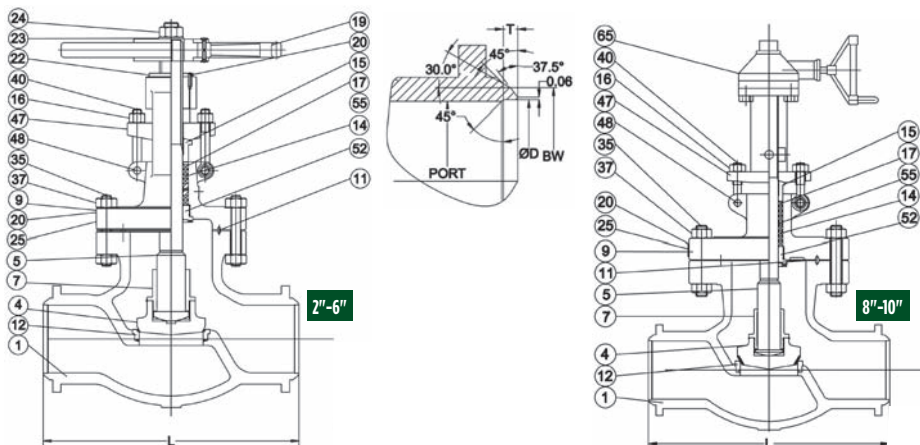
OPTIONS	
FIGURE NO.	OPTIONS
2605-8 (as shown)	API Trim 8 (13Cr/HF)
2605-5N	API Trim 5 (HF/HF) to NACE
2605-12N	API Trim 12 (316/HF) to NACE

MATERIAL LIST		
No.	PART NAME	Material
1	Body	ASTM A216 Gr. WCB
4	Disc	ASTM A105+13cr
5	Stem	ASTM A182 Gr.F6A
7	Disc Cover	ASTM A276 Gr.410
9	Bonnet	ASTM A216 Gr. WCB
11	Gasket	Ring Joint - Soft Iron
12	Seat Ring	ASTM A105+STL#6
14	Packing	Flexible Graphite
15	Gland	ASTM A276 Gr.410
16	Eye Nut	ASTM A194 Gr.2H
17	Packing	Stainless Steel Wire + Graphite
19	Handwheel	ASTM A536 Gr.65-45-12
20	Screw	Carbon Steel
20-1	Rivet	SS304
22	Stem Nut	ASTM A439 Gr.D-2
23	Washer	ASTM A276 Gr.410
24	Nut	Carbon Steel
25	Name Plate	SS304
35	Bolt	ASTM A193 Gr.B7
37	Nut	ASTM A194 Gr.2H
40	Eye Bolt	ASTM A193 Gr.B7
47	Gland Flange	ASTM A216 Gr.WCB
48	Pin	ASTM A29 Gr.1035
52	Back Seat	ASTM A276 Gr.410
55	Distance Ring	ASTM A276 Gr.410
65	Gearbox	BA-2

DIMENSIONS													
SIZE	PORT	L	L6	ØE	H	ØG	ØJ	ØI	T	F	M	ØN	Wt.(lbs)
2"	2.00	11.50		9.84	15.55	6.50	5.00	3.62	1.00	0.25	8	0.75	86.00
2-1/2"	2.50	13.00		11.81	19.77	7.50	5.88	4.12	1.12	0.25	8	0.88	110.20
3"	3.00	14.00		13.78	19.29	8.25	6.62	5.00	1.25	0.25	8	0.88	143.30
4"	4.00	17.00		15.75	23.03	10.75	8.50	6.19	1.50	0.25	8	1.00	249.10
6"	6.00	22.01		19.68	30.83	14.00	11.50	8.50	1.88	0.25	12	1.13	579.80
8"	7.87	26.00	17.80	20.80	32.90	16.50	13.75	10.62	2.19	0.25	12	1.25	903.90
10"	9.75	31.00	17.80	20.80	34.70	20.00	17.00	12.75	2.50	0.25	16	1.38	1377.90

CLASS 600 FIG NO. 2605-8W

AVAILABLE IN 2"-16"



OPTIONS	
FIGURE NO.	OPTIONS
2605-8W (as shown)	API Trim 8 (13Cr/HF)
2605-5W-N	API Trim 5 (HF/HF) to NACE
2605-12W-N	API Trim 12 (316/HF) to NACE

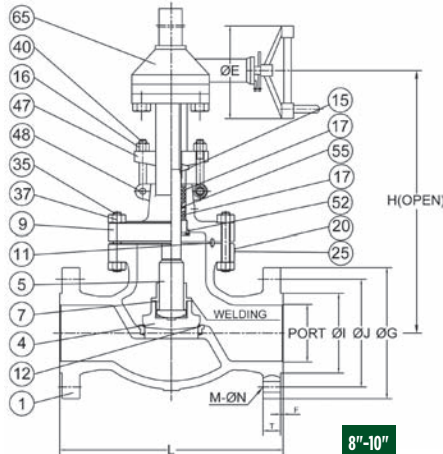
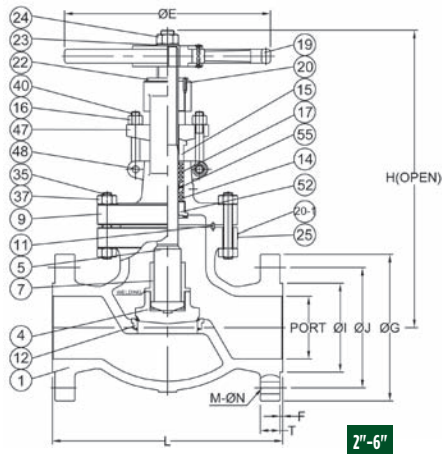
MATERIAL LIST		
No.	PART NAME	Material
1	Body	ASTM A216 Gr. WCB
4	Disc	ASTM A105+13cr
5	Stem	ASTM A182 Gr.F6A
7	Disc Cover	ASTM A276 Gr.410
9	Bonnet	ASTM A216 Gr. WCB
11	Gasket	Ring Joint - Soft Iron
12	Seat Ring	ASTM A105+STL#6
14	Packing	Flexible Graphite
15	Gland	ASTM A276 Gr.410
16	Eye Nut	ASTM A194 Gr.2H
17	Packing	Stainless Steel Wire + Graphite
19	Handwheel	ASTM A536 Gr.65-45-12
20	Rivet	SS304
22	Stem Nut	ASTM A439 Gr.D-2
23	Washer	ASTM A276 Gr.410
24	Nut	Carbon Steel
25	Name Plate	SS304
35	Bolt	ASTM A193 Gr.B7
37	Nut	ASTM A194 Gr.2H
40	Eye Bolt	ASTM A193 Gr.B7
47	Gland Flange	ASTM A216 Gr.WCB
48	Pin	ASTM A29 Gr.1035
52	Back Seat	ASTM A276 Gr.410
55	Distance Ring	ASTM A276 Gr.410
65	Gearbox	BA-2

DIMENSIONS							
SIZE	SCH	PORT	L	BW	ØD	T	Wt.(lbs)
2"	XS	2.00	11.50	2.44	1.94	0.35	81.5
2-1/2"	XS	2.50	13.00	2.96	2.32	0.43	101.6
3"	XS	3.00	14.00	3.59	2.90	0.47	125.8
4"	XS	4.00	17.00	4.62	3.83	0.51	231.6
6"	XS	6.00	22.00	6.78	5.76	0.67	559.6
8"	XS	7.87	26.00	8.78	7.63	0.79	891.5
10"	XS	9.75	31.00	10.94	9.75	0.79	1055.6

13 CAST CARBON STEEL GLOBE VALVES

CLASS 900 FIG NO. 2905-5

AVAILABLE IN 2"-12"



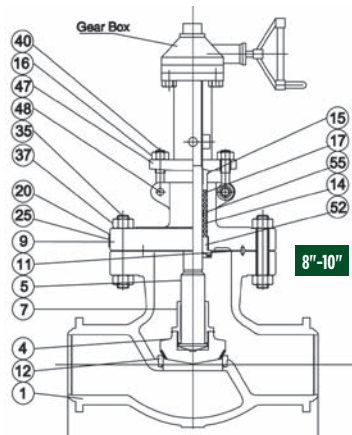
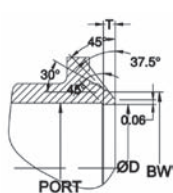
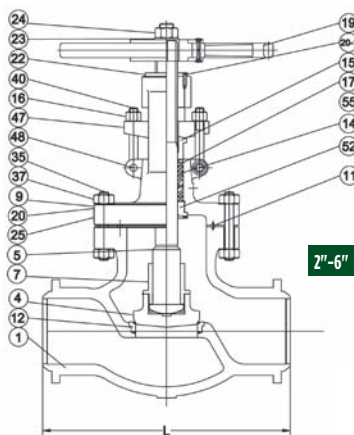
DIMENSIONS												
SIZE	PORT	L	ØE	H	ØG	ØJ	ØI	T	F	M	ØN	Wt(lbs)
2"	1.87	14.50	13.78	18.82	8.50	6.50	3.62	1.50	6.4	8	1.00	220.5
3"	2.87	15.00	15.75	24.17	9.50	7.50	5.00	1.50	6.4	8	1.00	288.9
4"	3.87	18.00	17.72	31.06	11.50	9.25	6.19	1.75	6.4	8	1.25	480.7
6"	5.75	24.00	22.05	34.88	15.00	12.50	8.50	2.19	6.4	12	1.25	996.7
8"	7.50	29.00	25.20	36.69	18.50	15.50	10.62	2.50	6.4	12	1.50	1565.6
10"	9.37	33.00	25.20	40.94	21.50	18.50	12.75	2.75	6.4	16	1.50	1918.4

OPTIONS	
FIGURE NO.	OPTIONS
2905-8	API Trim 8 (13Cr/HF)
2905-5N (as shown)	API Trim 5 (HF/HF) to NACE
2905-12N	API Trim 12 (316/HF) to NACE

MATERIAL LIST		
No.	PART NAME	Material
1	Body	ASTM A216 Gr. WCB
4	Disc	ASTM A105+STL#6
5	Stem	ASTM A182 Gr.F6A
7	Disc Cover	ASTM A276 Gr.410
9	Bonnet	ASTM A216 Gr. WCB
11	Gasket	ASTM A29 Gr.1008
12	Seat Ring	ASTM A105+STL#6
14	Packing	Flexible Graphite
15	Gland	ASTM A276 Gr.410
16	Eye Nut	ASTM A194 Gr.2H
17	Packing	Stainless Steel Wire + Graphite
19	Handwheel	ASTM A536 Gr.65-45-12
20	Screw	ASTM A29 Gr.1045
20-1	Rivet	SS304
22	Stem Nut	ASTM A439 Gr.D-2
23	Washer	ASTM A29 Gr.410
24	Nut	ASTM A29 Gr.1035
25	Name Plate	SS304
35	Bolt	ASTM A193 Gr.B7
37	Nut	ASTM A194 Gr.2H
40	Eye Bolt	ASTM A193 Gr.B7
47	Gland Flange	ASTM A216 Gr.WCB
48	Pin	ASTM A29 Gr.1035
52	Back Seat	ASTM A276 Gr.410
55	Distance Ring	ASTM A276 Gr.410
65	Gear Box	

CLASS 900 FIG NO. 2905-5W

AVAILABLE IN 2"-12"



DIMENSIONS							
SIZE	SCH	PORT	L	BW	ØD	T	Wt(lbs)
2"	160	1.87	14.50	2.44	1.70	0.55	202.6
3"	160	2.87	15.00	3.59	2.62	0.67	268.7
4"	160	3.87	18.00	4.62	3.44	0.83	447.1
6"	160	5.75	24.00	6.78	5.19	1.10	960.4
8"	160	7.87	29.00	8.78	6.81	1.38	1544.4
10"	160	9.75	33.00	10.94	8.50	1.69	1876.7

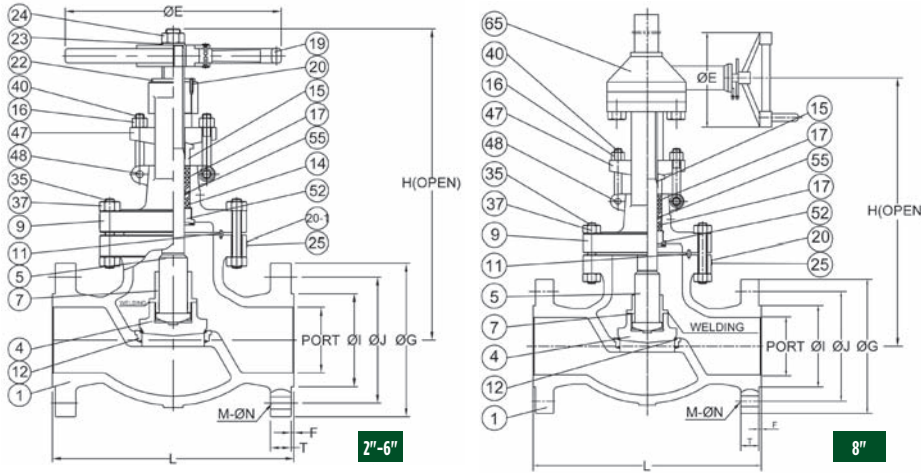
OPTIONS	
FIGURE NO.	OPTIONS
2905-8W	API Trim 8 (13Cr/HF)
2905-5W-N (as shown)	API Trim 5 (HF/HF) to NACE
2905-12W-N	API Trim 12 (316/HF) to NACE

MATERIAL LIST		
No.	PART NAME	Material
1	Body	ASTM A216 Gr. WCB
4	Disc	ASTM A105+STL#6
5	Stem	ASTM A182 Gr.F6A
7	Disc Cover	ASTM A276 Gr.410
9	Bonnet	ASTM A216 Gr. WCB
11	Gasket	ASTM A29 Gr.1008
12	Seat Ring	ASTM A105+STL#6
14	Packing	Flexible Graphite
15	Gland	ASTM A276 Gr.410
16	Eye Nut	ASTM A194 Gr.2H
17	Packing	Stainless Steel Wire + Graphite
19	Handwheel	ASTM A536 Gr.65-45-12
20	Rivet	SS304
20-1	Screw	ASTM A29 Gr.1045
22	Stem Nut	ASTM A349 Gr.D-2
23	Washer	ASTM A276 Gr.410
24	Nut	ASTM A29 Gr.1045
25	Name Plate	SS304
35	Bolt	ASTM A193 Gr.B7
37	Nut	ASTM A194 Gr.2H
40	Eye Bolt	ASTM A193 Gr.B7
47	Gland Flange	ASTM A216 Gr.WCB
48	Pin	ASTM A29 Gr.1035
52	Back Seat	ASTM A276 Gr.410
55	Distance Ring	ASTM A276 Gr.410

CAST CARBON STEEL GLOBE VALVES 14

CLASS 1500 FIG NO. 2505-5

AVAILABLE IN 2"-12"



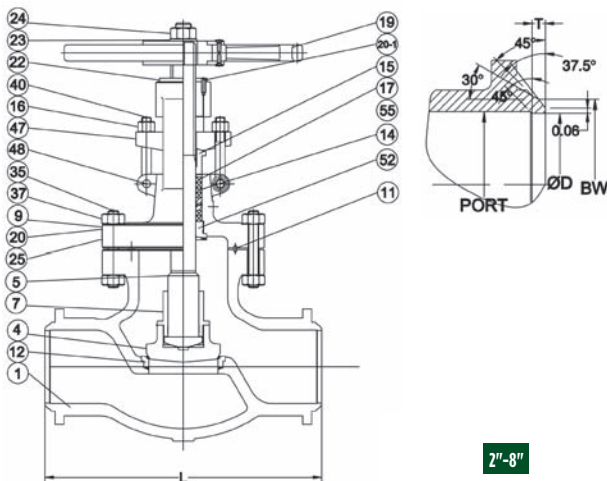
DIMENSIONS												
SIZE	PORT	L	ØE	H	ØG	ØJ	ØI	T	F	M	ØN	Wt(lbs)
2"	1.87	14.50	13.78	23.31	8.50	6.50	3.62	1.50	6.4	8	1.00	247.0
3"	2.75	18.50	17.72	27.24	10.50	8.00	5.00	1.88	6.4	8	1.25	491.7
4"	3.62	21.50	19.69	35.71	12.25	9.50	6.19	2.12	6.4	8	1.38	740.9
6"	5.37	27.75	25.20	39.96	15.50	12.50	8.50	3.25	6.4	12	1.50	1587.6
8"	7.00	32.75	31.50	45.08	19.00	15.50	10.62	3.62	6.4	12	1.75	1812.5

OPTIONS	
FIGURE NO.	OPTIONS
2505-8	API Trim 8 (13Cr/HF)
2505-5N (as shown)	API Trim 5 (HF/HF) to NACE
2505-12N	API Trim 12 (316/HF) to NACE

MATERIAL LIST		
No.	PART NAME	Material
1	Body	ASTM A216 Gr. WCB
4	Disc	ASTM A105+STL#6
5	Stem	ASTM A182 Gr.F6A
7	Disc Cover	ASTM A276 Gr.410
9	Bonnet	ASTM A216 Gr. WCB
11	Gasket	ASTM A29 Gr.1008
12	Seat Ring	ASTM A105+STL#6
14	Packing	Flexible Graphite
15	Gland	ASTM A276 Gr.410
16	Eye Nut	ASTM A194 Gr.2H
17	Packing	Stainless Steel Wire + Graphite
19	Handwheel	ASTM A536 Gr.65-45-12
20	Screw	ASTM A29 Gr.1045
20-1	Rivet	SS304
22	Stem Nut	ASTM A439 Gr.D-2
23	Washer	ASTM A29 Gr.410
24	Nut	ASTM A29 Gr.1035
25	Name Plate	SS304
35	Bolt	ASTM A193 Gr.B7
37	Nut	ASTM A194 Gr.2H
40	Eye Bolt	ASTM A193 Gr.B7
47	Gland Flange	ASTM A216 Gr.WCB
48	Pin	ASTM A29 Gr.1035
52	Back Seat	ASTM A276 Gr.410
55	Distance Ring	ASTM A276 Gr.410
65	Gear Box	

CLASS 1500 FIG NO. 2505-5W

AVAILABLE IN 2"-12"



DIMENSIONS								
SIZE	SCH	PORT	L	BW	ØD	T	Wt(lbs)	
2"	160	1.87	14.50	2.44	1.70	0.55	248.9	
3"	160	2.75	18.50	3.59	2.62	0.67	506.7	
4"	160	3.62	21.50	4.62	3.44	0.83	746.6	
6"	160	5.37	27.75	6.78	5.19	1.10	1826.7	
8"	160	7.00	32.75	8.78	6.81	1.38	2124.4	

OPTIONS	
FIGURE NO.	OPTIONS
2505-8W	API Trim 8 (13Cr/HF)
2505-5W-N (as shown)	API Trim 5 (HF/HF) to NACE
2505-12W-N	API Trim 12 (316/HF) to NACE

MATERIAL LIST		
No.	PART NAME	Material
1	Body	ASTM A216 Gr. WCB
4	Disc	ASTM A105+STL#6
5	Stem	ASTM A182 Gr.F6A
7	Disc Cover	ASTM A276 Gr.410
9	Bonnet	ASTM A216 Gr. WCB
11	Gasket	ASTM A29 Gr.1008
12	Seat Ring	ASTM A105+STL#6
14	Packing	Flexible Graphite
15	Gland	ASTM A276 Gr.410
16	Eye Nut	ASTM A194 Gr.2H
17	Packing	Stainless Steel Wire + Graphite
19	Handwheel	ASTM A536 Gr.65-45-12
20	Rivet	SS304
20-1	Screw	ASTM A29 Gr.1045
22	Stem Nut	ASTM A349 Gr.D-2
23	Washer	ASTM A276 Gr.410
24	Nut	ASTM A29 Gr.1045
25	Name Plate	SS304
35	Bolt	ASTM A193 Gr.B7
37	Nut	ASTM A194 Gr.2H
40	Eye Bolt	ASTM A193 Gr.B7
47	Gland Flange	ASTM A216 Gr.WCB
48	Pin	ASTM A29 Gr.1035
52	Back Seat	ASTM A276 Gr.410
55	Distance Ring	ASTM A276 Gr.410



CAST CARBON STEEL CHECK VALVES

Warren Valve's line of Cast Carbon Steel Check Valves are offered in classes 150, 300, 600, 900, and 1500. For oil and gas refineries and petrochemical plants, Warren's carbon steel valves are an economical and quality choice.

Warren Valves are subject to rigorous quality inspections. Our comprehensive evaluation includes on-site audits, inspection at the source, receiving inspections, and destructive material testing. Mill test reports are always available.

FEATURES

- Bolted Cover
- Exterior Hinge Pin
- Swing Type Disc
- Welded Seat Ring

GENERAL DESIGN STANDARDS

Cast Carbon Steel Check Valves	
Design	ANSI B16.34 ¹
Testing	API 598 ²
Pressure Temperature Rating	ANSI B16.34
Face to Face Dimensions	ANSI B16.10
End Flange Dimensions	ANSI B16.5
Weld End Dimensions	ANSI B16.25
Visual Inspection of Castings	MSS-SP-55

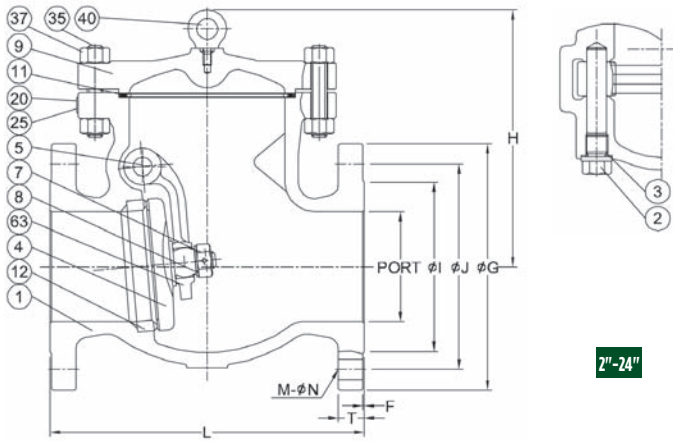
¹ Conforms to the applicable requirements of API 600

² Every Warren Valve is 100% pressure tested according to API 598 requirements. MTRs are available upon request.

CAST CARBON STEEL CHECK VALVES 16

CLASS 150 FIG NO. 3155-8

AVAILABLE IN 2"-36"



2"-24"

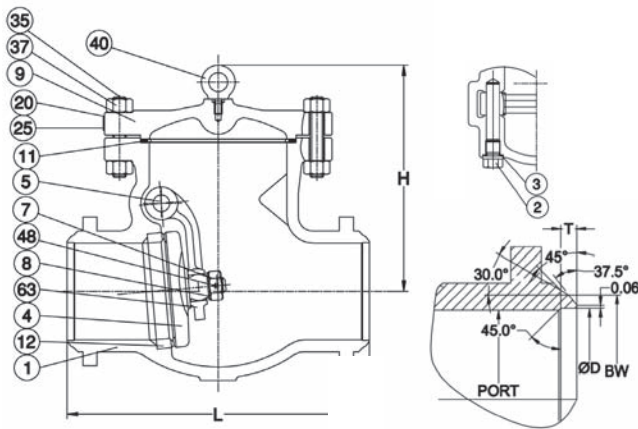
OPTIONS	
FIGURE NO.	OPTIONS
3155-8 (as shown)	API Trim 8 (13Cr/HF)
3155-5N	API Trim 5 (HF/HF) to NACE
3155-12N	API Trim 12 (316/HF) to NACE

DIMENSIONS											
SIZE	PORT	L	H	ØG	ØJ	ØI	T	F	M	ØN	Wt.(lbs)
2"	2.00	8.00	5.31	6.00	4.75	3.62	0.75	0.06	4	0.75	41.9
2-1/2"	2.50	8.50	6.10	7.00	5.50	4.12	0.87	0.06	4	0.75	52.9
3"	3.00	9.05	6.61	7.50	6.00	5.00	0.94	0.06	4	0.75	61.7
4"	4.00	11.50	9.06	9.00	7.50	6.19	0.94	0.06	8	0.75	92.6
6"	6.00	14.00	10.91	11.00	9.50	8.50	1.00	0.06	8	0.88	149.9
8"	8.00	19.50	13.35	13.50	11.75	10.62	1.12	0.06	8	0.88	264.6
10"	10.00	24.50	15.94	16.00	14.25	12.75	1.18	0.06	12	1.00	445.3
12"	12.00	27.50	18.58	19.00	17.00	15.00	1.25	0.06	12	1.00	683.4
14"	13.25	31.00	21.26	21.00	18.75	16.25	1.37	0.06	12	1.13	1082.5
16"	15.25	34.00	22.99	23.50	21.25	18.50	1.44	0.06	16	1.13	1047.2
18"	17.25	38.50	24.41	25.00	22.75	21.00	1.56	0.06	16	1.25	1351.4
20"	19.25	38.50	25.20	27.50	25.00	23.00	1.68	0.06	20	1.25	1536.6
24"	23.25	51.00	29.26	32.00	29.50	27.25	1.87	0.06	20	1.38	2821.9

MATERIAL LIST		
No.	PART NAME	Material
1	Body	ASTM A216 Gr. WCB
2	Plug	ATM A276 Gr.410
3	Plug Seal	ASTM/ANSI 1010
4	Disc	ASTM A105/A216 Gr. WCB+13Cr
5	Pin	ASTM A276 Gr.410
7	Disc Nut	ASTM A276 Gr.410
8	Disc Washer	ASTM A276 Gr.410
9	Bonnet	ASTM A216 Gr. WCB
11	Gasket	304+Flexible Graphite
12	Seat Ring	ASTM A105+STL#6
20	Rivet	SS304
25	Name Plate	SS304
35	Bolt	ASTM A193 Gr.B7
37	Nut	ASTM A194 Gr.2H
40	Lifting Ring	ASTM A29 Gr.1035
63	Hinge	ASTM A216 Gr.WCB

CLASS 150 FIG NO. 3155-8W

AVAILABLE IN 2"-36"



2"-24"

OPTIONS	
FIGURE NO.	OPTIONS
3155-8W (as shown)	API Trim 8 (13Cr/HF)
3155-5W-N	API Trim 5 (HF/HF) to NACE
3155-12W-N	API Trim 12 (316/HF) to NACE

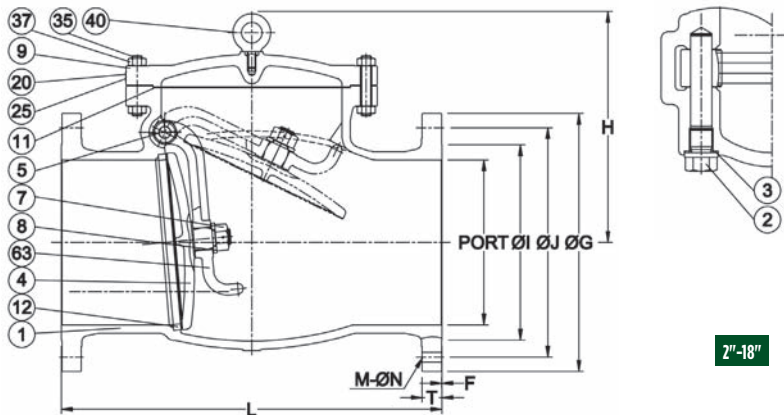
DIMENSIONS							
SIZE	SCH	PORT	L	ØD	BW	T	Wt.(lbs)
2"	STD	2.00	8.00	2.44	2.07	0.31	33.0
2-1/2"	STD	2.50	8.50	2.96	2.47	0.35	42.0
3"	STD	3.00	9.50	3.59	3.07	0.39	57.2
4"	STD	4.00	11.50	4.62	4.03	0.43	86.0
6"	STD	6.00	16.00	6.78	6.07	0.47	154.0
8"	STD	8.00	19.50	8.78	7.98	0.55	226.9
10"	STD	10.00	24.50	10.94	10.02	0.59	376.6
12"	STD	12.00	27.50	12.97	12.00	0.63	608.0
14"	STD	13.25	31.00	14.25	13.25	0.67	804.0
16"	STD	15.25	34.00	16.25	15.25	0.67	1224.7
18"	STD	17.25	38.50	18.28	17.25	0.67	1445.0
20"	STD	19.25	38.50	20.31	19.25	0.67	1952.0
24"	STD	23.21	51.00	24.38	23.25	0.67	2941.0

MATERIAL LIST		
No.	PART NAME	Material
1	Body	ASTM A216 Gr. WCB
2	Plug	ATM A276 Gr.410
3	Plug Seal	ASTM/ANSI 1010
4	Disc	ASTM A105/A216 Gr. WCB+13Cr
5	Pin	ASTM A276 Gr.410
7	Disc Nut	ASTM A276 Gr.410
8	Disc Washer	ASTM A276 Gr.410
9	Bonnet	ASTM A216 Gr. WCB
11	Gasket	304+Flexible Graphite
12	Seat Ring	ASTM A105+STL#6
20	Rivet	SS304
25	Name Plate	SS304
35	Bolt	ASTM A193 Gr.B7
37	Nut	ASTM A194 Gr.2H
40	Lifting Ring	ASTM A29 Gr.1035
63	Hinge	ASTM A216 Gr.WCB
48	Pin	ASTM A276 Gr. 410

17 CAST CARBON STEEL CHECK VALVES

CLASS 300 FIG NO. 3305-8

AVAILABLE IN 2"-36"



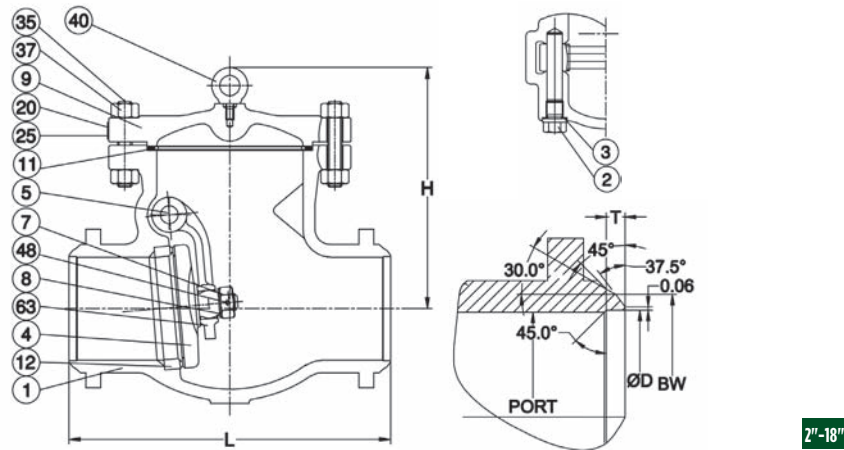
DIMENSIONS											
SIZE	PORT	L	H	ØG	ØJ	ØI	T	F	M	ØN	Wt (lbs)
2"	2.00	10.50	6.22	6.50	5.00	3.62	0.87	0.06	8	0.75	48.5
2-1/2"	2.50	11.50	8.07	7.50	5.88	4.12	1.00	0.06	8	0.88	70.5
3"	3.00	12.00	7.40	8.25	6.62	5.00	1.12	0.06	8	0.88	86.0
4"	4.00	14.00	10.20	10.00	7.88	6.19	1.25	0.06	8	0.88	130.1
6"	6.00	17.50	12.00	12.50	10.62	8.50	1.44	0.06	12	0.88	244.7
8"	8.00	21.00	14.76	15.00	13.00	10.62	1.62	0.06	12	1.00	412.3
10"	10.00	24.50	18.31	17.50	15.25	12.75	1.87	0.06	16	1.13	687.8
12"	12.00	28.00	19.53	20.50	17.75	15.00	2.00	0.06	16	1.25	1047.2
14"	13.25	33.00	22.80	23.00	20.25	16.25	2.12	0.06	20	1.25	1516.8
16"	15.25	34.00	24.49	25.50	22.50	18.50	2.25	0.06	20	1.38	1966.5
18"	17.00	38.50	26.66	28.00	24.75	21.00	2.37	0.06	24	1.38	2336.9

OPTIONS	
FIGURE NO.	OPTIONS
3305-8 (as shown)	API Trim 8 (13Cr/HF)
3305-5N	API Trim 5 (HF/HF) to NACE
3305-12N	API Trim 12 (316/HF) to NACE

MATERIAL LIST		
No.	PART NAME	Material
1	Body	ASTM A216 Gr. WCB
2	Plug	ATM A276 Gr.410
3	Plug Seal	ASTM/ANSI 1010
4	Disc	ASTM A105/A216 Gr. WCB+13Cr
5	Pin	ASTM A276 Gr.410
7	Disc Nut	ASTM A276 Gr.410
8	Disc Washer	ASTM A276 Gr.410
9	Bonnet	ASTM A216 Gr. WCB
11	Gasket	304+Flexible Graphite
12	Seat Ring	ASTM A105+STL#6
20	Rivet	SS304
25	Name Plate	SS304
35	Bolt	ASTM A193 Gr.B7
37	Nut	ASTM A194 Gr.2H
40	Lifting Ring	ASTM A29 Gr.1035
63	Hinge	ASTM A216 Gr.WCB

CLASS 300 FIG NO. 3305-8W

AVAILABLE IN 2"-36"



DIMENSIONS							
SIZE	SCH	PORT	L	BW	ØD	T	Wt (lbs)
2"	STD	2.00	10.50	2.44	2.07	0.31	39.6
2-1/2"	STD	2.50	11.50	2.96	2.47	0.35	63.9
3"	STD	3.00	12.50	3.59	3.07	0.39	77.1
4"	STD	4.00	14.00	4.62	4.03	0.43	127.8
6"	STD	6.00	17.50	6.78	6.07	0.47	279.7
8"	STD	8.00	21.00	8.78	7.98	0.55	458.1
10"	STD	10.00	24.50	10.94	10.02	0.59	826.0
12"	STD	12.00	28.00	12.97	12.00	0.63	951.5
14"	STD	13.25	33.00	14.25	13.25	0.67	1464.8
16"	STD	15.25	34.00	16.25	15.25	0.67	1812.8
18"	STD	17.00	38.50	18.28	17.25	0.67	2226.9

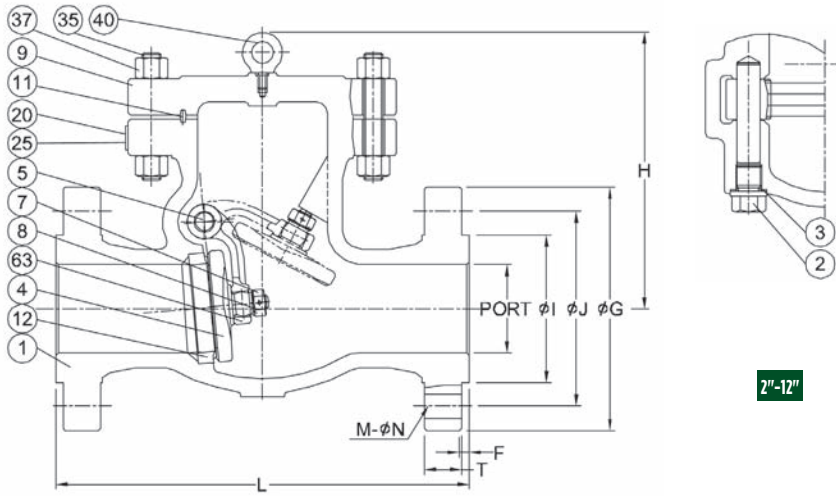
OPTIONS	
FIGURE NO.	OPTIONS
3305-8W (as shown)	API Trim 8 (13Cr/HF)
3305-5W-N	API Trim 5 (HF/HF) to NACE
3305-12W-N	API Trim 12 (316/HF) to NACE

MATERIAL LIST		
No.	PART NAME	Material
1	Body	ASTM A216 Gr. WCB
2	Plug	ATM A276 Gr.410
3	Plug Seal	ASTM/ANSI 1010
4	Disc	ASTM A105/A216 Gr. WCB+13Cr
5	Pin	ASTM A276 Gr.410
7	Disc Nut	ASTM A276 Gr.410
8	Disc Washer	ASTM A276 Gr.410
9	Bonnet	ASTM A216 Gr. WCB
11	Gasket	304+Flexible Graphite
12	Seat Ring	ASTM A105+STL#6
20	Rivet	SS304
25	Name Plate	SS304
35	Bolt	ASTM A193 Gr.B7
37	Nut	ASTM A194 Gr.2H
40	Lifting Ring	ASTM A29 Gr.1035
63	Hinge	ASTM A216 Gr.WCB
48	Pin	ASTM A276 Gr. 410
65	Gear Box	BA-2

CAST CARBON STEEL CHECK VALVES 18

CLASS 600 FIG NO. 3605-8

AVAILABLE IN 2"-24"



2"-12"

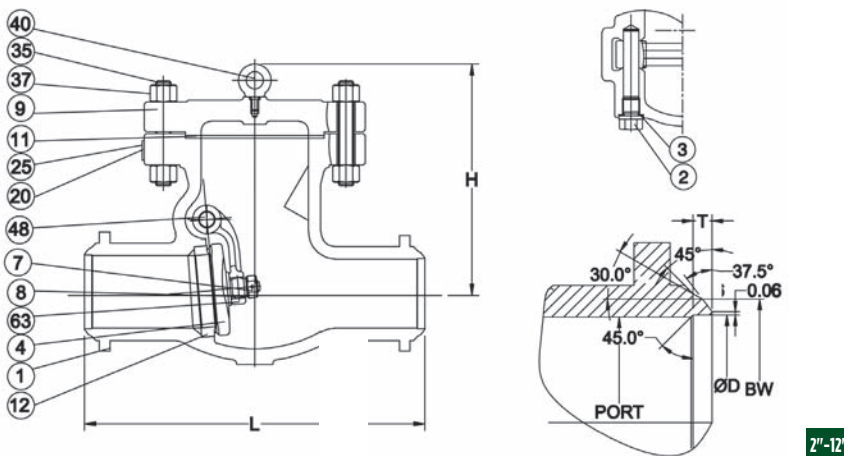
OPTIONS	
FIGURE NO.	OPTIONS
3605-8 (as shown)	API Trim 8 (13Cr/HF)
3605-5N	API Trim 5 (HF/HF) to NACE
3605-12N	API Trim 12 (316/HF) to NACE

MATERIAL LIST		
No.	PART NAME	Material
1	Body	ASTM A216 Gr. WCB
2	Plug	ATM A276 Gr.410
3	Plug Seal	ASTM/ANSI 1010
4	Disc	ASTM A105/A216 Gr. WCB+13Cr
5	Pin	ASTM A276 Gr.410
7	Disc Nut	ASTM A276 Gr.410
8	Disc Washer	ASTM A276 Gr.410
9	Bonnet	ASTM A216 Gr. WCB
11	Gasket	Ring Joint Soft Iron
12	Seat Ring	ASTM A105+STL#6
20	Rivet	SS304
25	Name Plate	SS304
35	Bolt	ASTM A193 Gr.B7
37	Nut	ASTM A194 Gr.2H
40	Lifting Ring	ASTM A29 Gr.1035
63	Hinge	ASTM A216 Gr.WCB

DIMENSIONS											
SIZE	PORT	L	H	ØG	ØJ	ØI	T	F	M	ØN	Wt(lbs)
2"	2.00	11.50	6.50	6.50	5.00	3.62	1.00	0.25	8	0.75	61.7
2-1/2"	2.50	13.00	9.06	7.50	5.88	4.12	1.12	0.25	8	0.88	99.2
3"	3.00	14.00	8.07	8.25	6.62	5.00	1.25	0.25	8	0.88	112.4
4"	4.00	17.00	11.06	10.75	8.50	6.19	1.50	0.25	8	1.00	198.4
6"	6.00	22.00	14.49	14.00	11.50	8.50	1.88	0.25	12	1.13	423.3
8"	7.87	26.00	16.54	16.50	13.75	10.62	2.19	0.25	12	1.25	815.7
10"	9.75	31.00	21.97	20.00	17.00	12.75	2.50	0.25	16	1.38	1300.7
12"	11.75	33.00	24.65	22.00	19.25	15.00	2.62	0.25	20	1.38	1746.1

CLASS 600 FIG NO. 3605-8W

AVAILABLE IN 2"-24"



2"-12"

OPTIONS	
FIGURE NO.	OPTIONS
3605-8W (as shown)	API Trim 8 (13Cr/HF)
3605-5W-N	API Trim 5 (HF/HF) to NACE
3605-12W-N	API Trim 12 (316/HF) to NACE

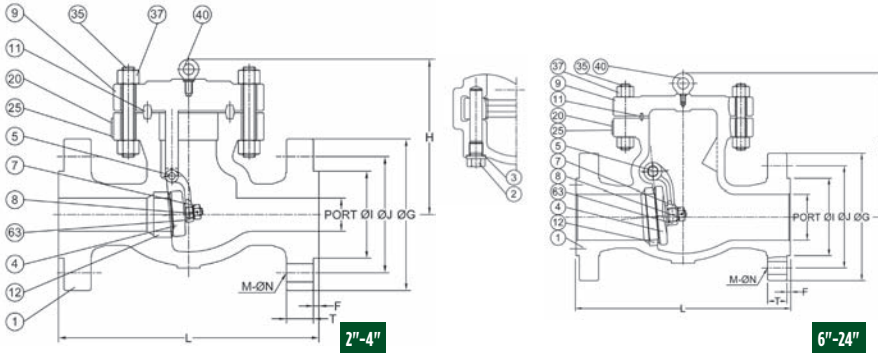
MATERIAL LIST		
No.	PART NAME	Material
1	Body	ASTM A216 Gr. WCB
2	Plug	ATM A276 Gr.410
3	Plug Seal	ASTM/ANSI 1010
4	Disc	ASTM A105/A216 Gr. WCB+13Cr
5	Pin	ASTM A276 Gr.410
7	Disc Nut	ASTM A276 Gr.410
8	Disc Washer	ASTM A276 Gr.410
9	Bonnet	ASTM A216 Gr. WCB
11	Gasket	304+Flexible Graphite
12	Seat Ring	ASTM A105+STL#6
20	Rivet	SS304
25	Name Plate	SS304
35	Bolt	ASTM A193 Gr.B7
37	Nut	ASTM A194 Gr.2H
40	Lifting Ring	ASTM A29 Gr.1035
63	Hinge	ASTM A216 Gr.WCB
48	Pin	ASTM A276 Gr. 410

DIMENSIONS							
SIZE	SCH	PORT	L	BW	ØD	T	Wt(lbs)
2"	XS	2.00	11.50	2.37	1.94	0.35	72.5
2-1/2"	XS	2.50	13.00	2.96	2.32	0.43	118.8
3"	XS	3.00	14.00	3.59	2.90	0.47	139.8
4"	XS	4.00	17.00	4.62	3.83	0.51	233.2
6"	XS	6.00	22.00	6.77	5.76	0.67	501.0
8"	XS	8.00	26.00	8.78	7.63	0.79	906.3
10"	XS	10.00	31.00	10.94	9.76	0.79	1468.0
12"	XS	12.00	33.00	12.97	11.75	0.79	1905.4

19 CAST CARBON STEEL CHECK VALVES

CLASS 900 FIG NO. 3905-5

AVAILABLE IN 2"-24"



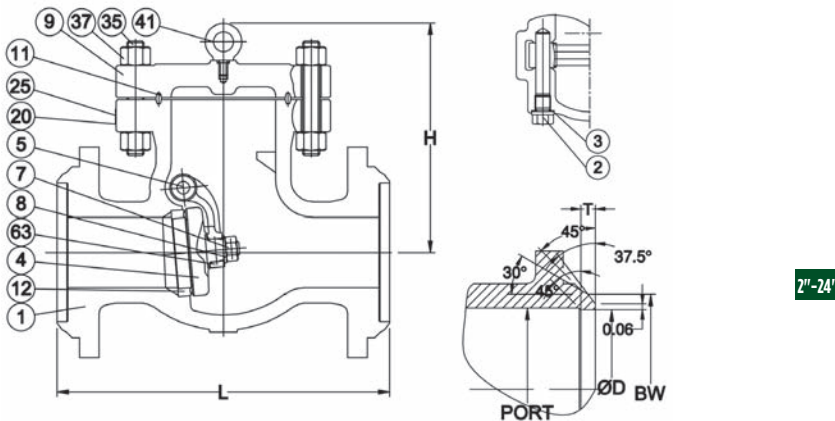
DIMENSIONS											
SIZE	PORT	L	H	ØG	ØJ	ØI	T	F	M	ØN	Wt(lbs)
2"	1.87	14.50	9.45	8.50	6.50	3.62	1.50	0.25	8	1.00	152.1
3"	2.87	15.00	10.24	9.50	7.50	5.00	1.50	0.25	8	1.00	200.7
4"	3.87	18.00	12.60	11.50	9.25	6.19	1.75	0.25	8	1.25	319.7
6"	5.75	24.00	15.04	15.00	12.50	8.50	2.19	0.25	12	1.25	571.1
8"	7.50	29.00	20.87	18.50	15.50	10.62	2.50	0.25	12	1.50	1245.8
10"	9.37	33.00	22.05	21.50	18.50	12.75	2.75	0.25	16	1.50	1984.5
12"	11.12	38.00	23.25	24.00	21.00	15.00	3.12	0.25	20	1.50	2646.0
14"	12.25	40.50	24.80	25.25	22.00	16.25	3.38	0.25	20	1.63	3307.5
16"	14.00	44.50	27.56	27.75	24.75	18.50	3.50	0.25	20	1.75	4696.7
18"	15.75	48.00	33.98	31.00	27.00	21.00	4.00	0.25	20	2.00	6262.2
20"	17.50	52.00	36.97	33.75	29.50	23.00	4.25	0.25	20	2.13	8282.0
24"	21.00	61.00	41.97	41.00	35.50	27.25	5.50	0.25	20	2.63	13230.0

OPTIONS	
FIGURE NO.	OPTIONS
3905-8	API Trim 8 (13Cr/HF)
3905-5N (as shown)	API Trim 5 (HF/HF) to NACE
3905-12N	API Trim 12 (316/HF) to NACE

MATERIAL LIST		
No.	PART NAME	Material
1	Body	ASTM A216 Gr. WCB
2	Plug	ATM A276 Gr.410
3	Plug Seal	ASTM A29 Gr.1008
4	Disc	ASTM A105+STL#6
5	Pin	ASTM A276 Gr.410
7	Disc Nut	ASTM A276 Gr.410
8	Disc Washer	ASTM A276 Gr.410
9	Bonnet	ASTM A216 Gr. WCB
11	Gasket	ASTM A29 Gr.1008
12	Seat Ring	ASTM A105+STL#6
20	Rivet	SS304
25	Name Plate	SS304
35	Bolt	ASTM A193 Gr.B7
37	Nut	ASTM A194 Gr.2H
40	Lifting Ring	ASTM A29 Gr.1035
63	Hinge	ASTM A216 Gr.WCB

CLASS 900 FIG NO. 3905-5W

AVAILABLE IN 2"-24"



DIMENSIONS								
SIZE	SCH	PORT	L	ØD	BW	T	Wt(lbs)	
2"	160	1.87	14.50	1.70	2.44	0.55	141.0	
3"	160	2.87	15.00	2.62	3.59	0.67	187.9	
4"	160	3.87	18.00	3.44	4.62	0.83	301.8	
6"	160	5.75	24.00	5.19	6.78	1.10	555.5	
8"	160	7.87	29.00	6.81	8.78	1.38	1229.8	
10"	160	9.75	33.00	8.50	1.94	1.69	1959.6	
12"	160	11.12	38.00	10.13	12.97	1.97	2621.2	
14"	160	12.25	40.50	11.19	14.25	2.13	3286.5	
16"	160	14.00	44.50	12.81	16.25	2.40	4664.7	
18"	160	15.75	48.00	14.44	18.28	2.68	6245.2	
20"	160	17.50	52.00	16.06	20.31	2.95	8263.0	
24"	160	21.00	61.00	19.31	19.31	3.54	13201.0	

OPTIONS	
FIGURE NO.	OPTIONS
3905-8W	API Trim 8 (13Cr/HF)
3905-5W-N (as shown)	API Trim 5 (HF/HF) to NACE
3905-12W-N	API Trim 12 (316/HF) to NACE

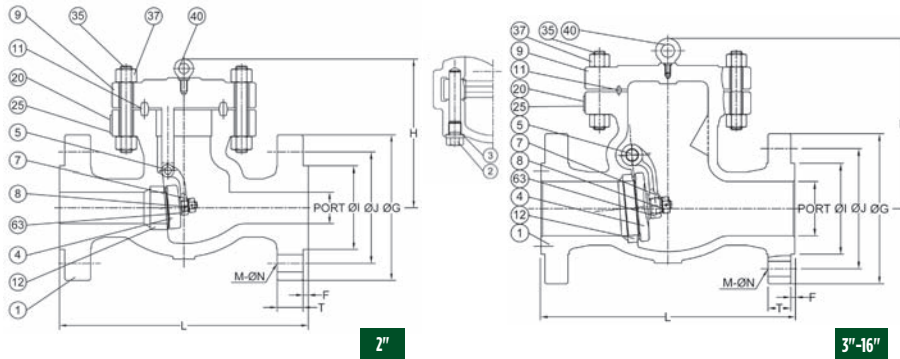
MATERIAL LIST		
No.	PART NAME	Material
1	Body	ASTM A216 Gr. WCB
2	Plug	ATM A276 Gr.410
3	Plug Seal	ASTM A29 Gr.1008
4	Disc	ASTM A105+STL#6
5	Pin	ASTM A276 Gr.410
7	Disc Nut	ASTM A276 Gr.410
8	Disc Washer	ASTM A276 Gr.410
9	Bonnet	ASTM A216 Gr. WCB
11	Gasket	ASTM A29 Gr.1008
12	Seat Ring	ASTM A105+STL#6
20	Rivet	SS304
25	Name Plate	SS304
35	Bolt	ASTM A193 Gr.B7
37	Nut	ASTM A194 Gr.2H
41	Snap Ring	ASTM A29 Gr.1035
63	Hinge	ASTM A216 Gr.WCB

CAST CARBON STEEL CHECK VALVES 20

CLASS 1500 FIG NO. 3505-5

AVAILABLE IN 2"-16"

OPTIONS	
FIGURE NO.	OPTIONS
3505-8	API Trim 8 (13Cr/HF)
3505-5N (as shown)	API Trim 5 (HF/HF) to NACE
3505-12N	API Trim 12 (316/HF) to NACE



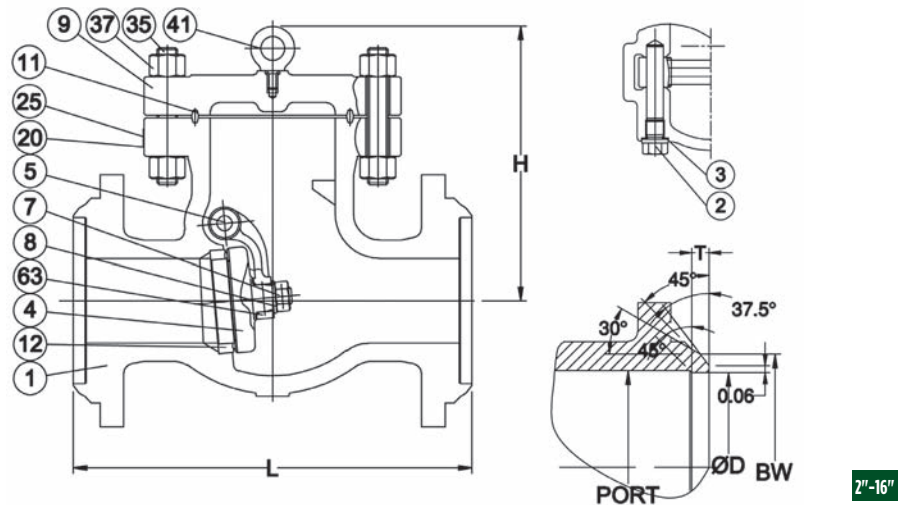
DIMENSIONS											
SIZE	PORT	L	H	ØG	ØJ	ØI	T	F	M	ØN	Wt(lbs)
2"	1.87	14.50	9.45	8.50	6.50	3.62	1.50	0.25	8	1.00	152.1
3"	2.75	18.50	12.99	10.50	8.00	5.00	1.88	0.25	8	1.25	308.7
4"	3.62	21.50	13.98	12.25	9.50	6.19	2.12	0.25	8	1.38	511.6
6"	5.37	27.75	15.75	15.50	12.50	8.50	3.25	0.25	12	1.50	1080.5
8"	7.00	32.75	20.87	19.00	15.50	10.62	3.62	0.25	12	1.75	2183.0
10"	8.75	39.00	22.05	23.00	19.00	12.75	4.25	0.25	12	2.00	3285.5
12"	10.37	44.50	25.59	26.50	22.50	15.00	4.88	0.25	16	2.13	4343.9
14"	11.37	49.50	29.57	29.50	25.00	16.25	5.25	0.25	16	2.38	5733.0
16"	13.00	54.50	30.98	32.50	27.75	18.50	5.75	0.25	16	2.63	7166.3

MATERIAL LIST		
No.	PART NAME	Material
1	Body	ASTM A216 Gr. WCB
4	Disc	ASTM A105+STL#6
5	Pin	ASTM A276 Gr.410
7	Disc Nut	ASTM A276 Gr.410
8	Disc Washer	ASTM A276 Gr.410
9	Bonnet	ASTM A216 Gr. WCB
11	Gasket	ASTM A29 Gr. 1008
12	Seat Ring	ASTM A105+STL#6
20	Rivet	SS304
25	Name Plate	SS304
35	Bolt	ASTM A193 Gr.B7
37	Nut	ASTM A194 Gr.2H
40	Lifting Ring	ASTM A29 Gr.1035
63	Hinge	ASTM A216 Gr.WCB

CLASS 1500 FIG NO. 3505-5W

AVAILABLE IN 2"-16"

OPTIONS	
FIGURE NO.	OPTIONS
3505-8W	API Trim 8 (13Cr/HF)
3505-5W-N (as shown)	API Trim 5 (HF/HF) to NACE
3505-12W-N	API Trim 12 (316/HF) to NACE



DIMENSIONS							
SIZE	SCH	PORT	L	ØD	BW	T	Wt(lbs)
2"	160	1.87	14.50	1.70	2.44	0.55	145.5
3"	160	2.75	18.50	2.62	3.59	0.67	301.5
4"	160	3.62	21.50	3.44	4.62	0.83	502.6
6"	160	5.37	27.75	5.19	6.78	1.10	1065.5
8"	160	7.00	32.75	6.81	8.78	1.38	2162.0
10"	160	8.75	39.00	8.50	1.94	1.69	3262.5
12"	160	10.37	44.50	10.13	12.97	1.97	4320.8
14"	160	11.37	49.50	11.19	14.25	2.13	5689.4
16"	160	13.00	54.50	12.81	16.25	2.40	7660.8

MATERIAL LIST		
No.	PART NAME	Material
1	Body	ASTM A216 Gr. WCB
2	Plug	ATM A276 Gr.410
3	Plug Seal	ASTM A29 Gr.1008
4	Disc	ASTM A105+STL#6
5	Pin	ASTM A276 Gr.410
7	Disc Nut	ASTM A276 Gr.410
8	Disc Washer	ASTM A276 Gr.410
9	Bonnet	ASTM A216 Gr. WCB
11	Gasket	ASTM A29 Gr.1008
12	Seat Ring	ASTM A105+STL#6
20	Rivet	SS304
25	Name Plate	SS304
35	Bolt	ASTM A193 Gr.B7
37	Nut	ASTM A194 Gr.2H
41	Plug Seal	ASTM A29 Gr.1035
63	Hinge	ASTM A216 Gr.WCB

21 API 600 CAST CARBON TOP WORKS DATA

GATE VALVE TORQUES : INCH LBS

Size (in)	150					300					600				
	Figure 1155					Figure 1305					Figure 1605				
	Torque (lbf-in)	Stem Dia. (in)	Pitch (in)	Lead (in)	Turns (No.)	Torque (lbf-in)	Stem Dia. (in)	Pitch (in)	Lead (in)	Turns (No.)	Torque (lbf-in)	Stem Dia. (in)	Pitch (in)	Lead (in)	Turns (No.)
2	124	0.750	0.167	0.167	15	168	0.750	0.167	0.167	16	301	0.750	0.167	0.167	14
2.5	142	0.750	0.167	0.167	18	212	0.750	0.167	0.167	18	513	0.875	0.167	0.167	
3	195	0.875	0.167	0.167	21	327	0.875	0.167	0.167	21	726	1.000	0.200	0.200	17
4	319	1.000	0.200	0.200	23	566	1.000	0.200	0.200	23	1319	1.125	0.200	0.200	23
5	478	1.125	0.200	0.200	27										
6	602	1.125	0.200	0.200	33	1301	1.250	0.200	0.200	34	3275	1.500	0.250	0.250	27
8	982	1.250	0.200	0.200	44	2381	1.375	0.250	0.250	35	5452	1.625	0.25X2	0.500	18
10	1567	1.375	0.250	0.250	43	3912	1.500	0.250	0.250	43	9630	1.875	0.25X2	0.500	22
12	2354	1.500	0.250	0.250	51	5762	1.625	0.25X2	0.500	26	14640	2.000	0.25X2	0.500	26
14	2930	1.625	0.25X2	0.500	29	7992	1.750	0.25X2	0.500	28					
16	4337	1.750	0.25X2	0.500	33	10789	1.875	0.25X2	0.500	33					
18	5665	1.875	0.25X2	0.500	37	14418	2.000	0.25X2	0.500	37					
20	7621	2.000	0.25X2	0.500	40	18950	2.125	0.333X2	0.666	30					
24	11958	2.250	0.333X2	0.666	37	32474	2.500	0.333X2	0.666	36					
30	21242	2.750	0.333X2	0.666	47										
36	34572	3.000	0.50X2	12.70	37										

Size (in)	900					1500				
	Figure 1905					Figure 1505				
	Torque (lbf-in)	Stem Dia. (in)	Pitch (in)	Lead (in)	Turns (No.)	Torque (lbf-in)	Stem Dia. (in)	Pitch (in)	Lead (in)	Turns (No.)
2	549	1.000	0.200	0.200	14	867	1.000	0.200	0.200	14
3	1195	1.125	0.200	0.200	17	1983	1.250	0.200	0.200	18
4	1903	1.250	0.200	0.200	23	3239	1.375	0.200	0.200	17

API 600 CAST CARBON TOP WORKS DATA 22

GLOBE VALVE TORQUE: Nm										
Size (in)	150					300				
	Figure 2155					Figure 2305				
	Torque (lbf-in)	Stem Dia. (in)	Pitch (in)	Lead (in)	Turns (No.)	Torque (lbf-in)	Stem Dia. (in)	Pitch (in)	Lead (in)	Turns (No.)
2	19	0.750	0.167	0.167	5	33	0.750	0.167	0.167	5
2.5	30	0.875	0.167	0.167	7	56	0.875	0.167	0.167	7
3	44	1.000	0.200	0.200	6	83	1.000	0.200	0.200	6
4	76	1.125	0.200	0.200	7	159	1.125	0.200	0.200	7
5	111	1.250	0.200	0.200	9					
6	150	1.250	0.200	0.200	10	375	1.375	0.250	0.250	9
8	274	1.375	0.250	0.250	10	866	1.875	0.250	0.250	11
10	469	1.625	0.250	0.250	13	1445	2.000	0.250	0.250	13
12	856	2.000	0.250	0.250	15	2310	2.375	0.333	0.333	12
14	1159	2.375	0.333	0.333						
16	1683	2.500	0.333	0.333						
18	2400	2.625	0.333	0.333						

Size (in)	600					900				
	Figure 2605					Figure 2905				
	Torque (lbf-in)	Stem Dia. (in)	Pitch (in)	Lead (in)	Turns (No.)	Torque (lbf-in)	Stem Dia. (in)	Pitch (in)	Lead (in)	Turns (No.)
2	68	0.875	0.167	0.167	5	114	1.250	0.200	0.200	6
3	182	1.250	0.200	0.200	6	267	1.375	0.250	0.250	5
4	340	1.375	0.250	0.250	7	521	1.625	0.250	0.250	6
6	1050	2.000	0.250	0.250	10	1433	2.125	6.350	6.350	9

23 CAST CARBON PRESSURE TEMPERATURE CHART

Temp °F	WORKING PRESSURE (psig)																	
	ASTM A351 Gr. WCB						ASTM A352 Gr. LCB						ASTM A352 Gr. LCC & LC3					
	150	300	600	900	1500	2500	150	300	600	900	1500	2500	150	300	600	900	1500	2500
-20 TO 100	285	740	1480	2220	3705	6170	265	695	1395	2090	3480	5805	290	750	1500	2250	3750	6250
200	260	680	1360	2035	3395	5655	255	660	1320	1980	3300	5505	260	750	1500	2250	3750	6250
300	230	655	1310	1965	3270	5450	230	640	1275	1915	3190	5315	230	730	1455	2185	3640	6070
400	200	635	1265	1900	3170	5280	200	615	1230	1845	3075	5125	200	705	1405	2110	3520	5865
500	170	605	1205	1810	3015	5025	170	585	1175	1760	2930	4885	170	665	1330	1995	3325	5540
600	140	570	1135	1705	2840	4730	140	550	1105	1655	2755	4595	140	605	1210	1815	3025	5040
650	125	550	1100	1650	2745	4575	125	535	1065	1600	2665	4440	125	590	1175	1765	2940	4905
700	110	530	1060	1590	2665	4425	* NOT TO BE USED OVER 650						* NOT TO BE USED OVER 650					
750	95	505	1015	1520	2535	4230												
800	80	410	825	1235	2055	3430												

Temp °F	ASTM A217 Gr. WC6						ASTM A217 Gr. WC9						ASTM A217 Gr. C5						ASTM A217 Gr. C12					
	150	300	600	900	1500	2500	150	300	600	900	1500	2500	150	300	600	900	1500	2500	150	300	600	900	1500	2500
-20 TO 100	290	750	1500	2250	3750	6250	290	750	1500	2250	3750	6250	290	750	1500	2250	3750	6250	290	750	1500	2250	3750	6250
200	260	750	1500	2250	3750	6250	260	750	1500	2250	3750	6250	260	750	1500	2250	3750	6250	260	750	1500	2250	3750	6250
300	230	720	1445	2165	3610	6015	230	730	1455	2185	3640	6070	230	730	1445	2185	3640	6070	230	730	1455	2185	3640	6070
400	200	695	1385	2080	3465	5775	200	705	1410	2115	3530	5880	200	705	1410	2115	3530	5880	200	705	1410	2115	3530	5880
500	170	665	1330	1995	3325	5540	170	665	1330	1995	3325	5540	170	665	1330	1995	3325	5540	170	665	1330	1995	3325	5540
600	140	605	1210	1815	3025	5040	140	605	1210	1815	3025	5040	140	605	1210	1815	3025	5040	140	605	1210	1815	3025	5040
650	125	590	1175	1765	2940	4905	125	590	1175	1765	2940	4905	125	590	1175	1765	2940	4905	125	590	1175	1765	2940	4905
700	110	570	1135	1705	2840	4730	110	570	1135	1705	2840	4730	110	570	1135	1705	2840	4730	110	570	1135	1705	2840	4730
750	95	530	1065	1595	2660	4430	95	530	1065	1595	2660	4430	95	530	1065	1595	2660	4430	95	530	1065	1595	2660	4430
800	80	510	1015	1525	2540	4230	80	510	1015	1525	2540	4230	80	510	1015	1525	2540	4230	80	510	1015	1525	2540	4230
850	65	485	975	1460	2435	4060	65	485	975	1460	2435	4060	65	485	975	1460	2435	4060	65	485	975	1460	2435	4060
900	50	450	900	1350	2245	3745	50	450	900	1350	2245	3745	50	375	745	1120	1870	3115	50	450	900	1350	2245	3745
950	35	320	640	955	1595	2655	35	385	755	1160	1930	3220	35	275	550	825	1370	2285	35	375	755	1130	1885	3145
1000	20	215	430	650	1080	1800	20	265	535	800	1335	2230	20	200	400	595	995	1655	20	255	505	760	1270	2115
1050	20	145	290	430	720	1200	20	175	350	525	875	1455	20	145	290	430	720	1200	20	170	345	515	855	1430
1100	20	95	190	290	480	800	20	110	220	330	550	915	20	100	200	300	495	830	20	115	225	340	565	945
1150													20	60	125	185	310	515	20	75	150	225	375	630
1200													15	35	70	105	170	285	20	50	105	155	255	430

* Use normalized and tempered material only. Not to be used over 1100°F. Flanged end ratings terminate at 1000°F

FUGITIVE EMISSIONS AND THE NEED FOR CONTROL

Volatile Organic Compounds (VOCs) released from refineries, chemical plants, pulp and paper mills, and power generating plants have been found to cause pollution as well as health problems.

The emission of VOCs lead to the enactment of the Clean Air Act in North America and the TA Luft regulation in Europe. These regulations set limits on the amount of VOC emissions allowed from any source. All plants handling harmful gas must periodically detect leaks and repair or replace any equipment with emissions exceeding 500 ppm.

With more concern for environmental protection in the world, low emission valves have become widely used in order to prevent unsafe medium from leaking to pollute the air and in order to meet the minimum fugitive emissions requirements.

WARREN VALVE'S LOW EMISSION PROMISE

WARREN VALVES ARE TESTED IN ACCORDANCE WITH EPA
FUGITIVE EMISSIONS REGULATIONS

BONNET GASKETS

Gaskets types depend on the type and pressure class of the valve. Class 150 gaskets are stainless steel inserted flexible graphite. Class 300 utilize graphite-filled spiral wound gaskets with an inner ring. Metal ring joint gaskets are used for Class 600 and higher.

PLUG GASKETS (*Check Valves*)

Class 150 & 300 check valves gaskets are stainless steel inserted flexible graphite sheet. Class 600 and higher utilize spiral wound flexible graphite gaskets.

GLAND PACKING

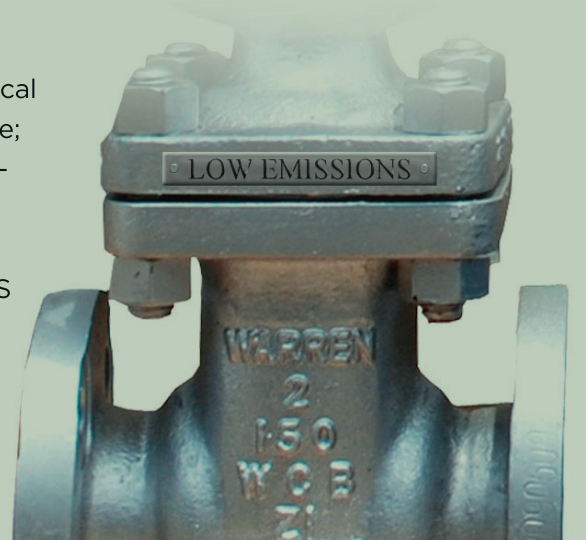
Warren Valve's gland packing utilizes 4 flexible cup and cone graphite rings and 2 braided flexible graphite rings – one upper and one lower. Class 300 and higher also consists of a carbon spacer bush. Gasket resiliency is tested regularly and inspected at the factory during the receiving process to ensure quality.

STEM & STUFFING BOX

Warren Valve tests for the following tolerances on diametrical interface clearance: 0.020" to 0.31" for stem/gland interface; 0.020" to 0.31" for stem-bonnet bush interface, and 0.004"-0.012" for stuffing box interface.

The stem is hardened and ground to a maximum of 32 RMS surface finish. Other tolerances include 0.001" per inch straightness, and .003" cylindricity.

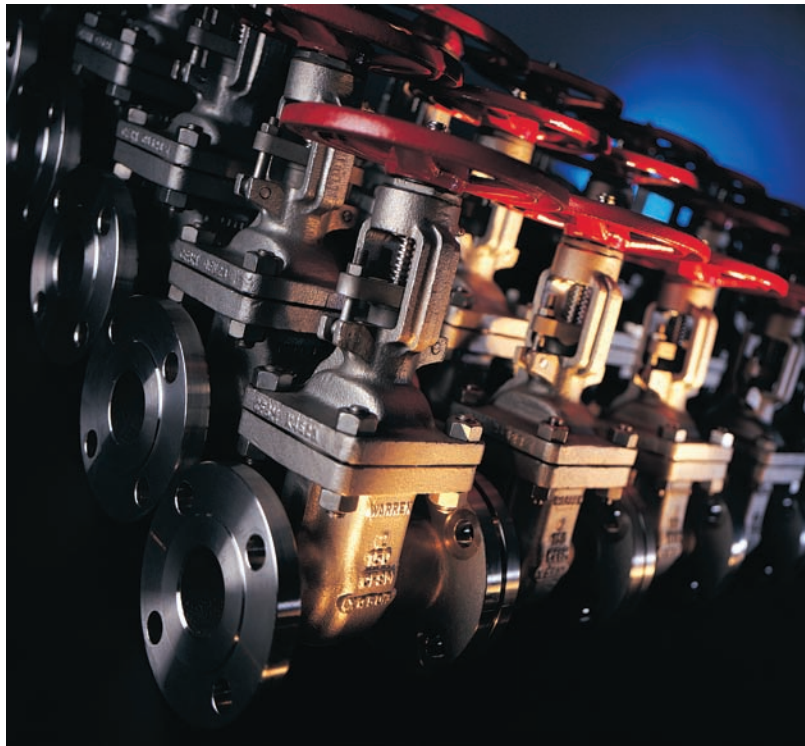
A maximum of 125 RMS surface finish is allowed for the stuffing box.



25 THE WARREN DIFFERENCE

Every Warren valve is tested and fully checked for proper operation before shipment.

Our famous triple checking of each outgoing order ensures shipment accuracy, and most of our valves are available for same day shipment. There is a reason Warren has been the trusted partner of industrial distributors for fifty years.



OPTIONS

CHOICES TO CUSTOMIZE YOUR VALVE SOLUTION

PACKING GASKET

MATERIALS

TRIM CHANGES

CRYOGENICS

BLEED HOLES

VENTING CONFIGURATIONS

STEAM JACKET INSERTS

DISC INSERTS

SPECIAL CLEANING SERVICES

Warren can also custom manufacture in other material grades. Contact us to discuss your specific requirements.

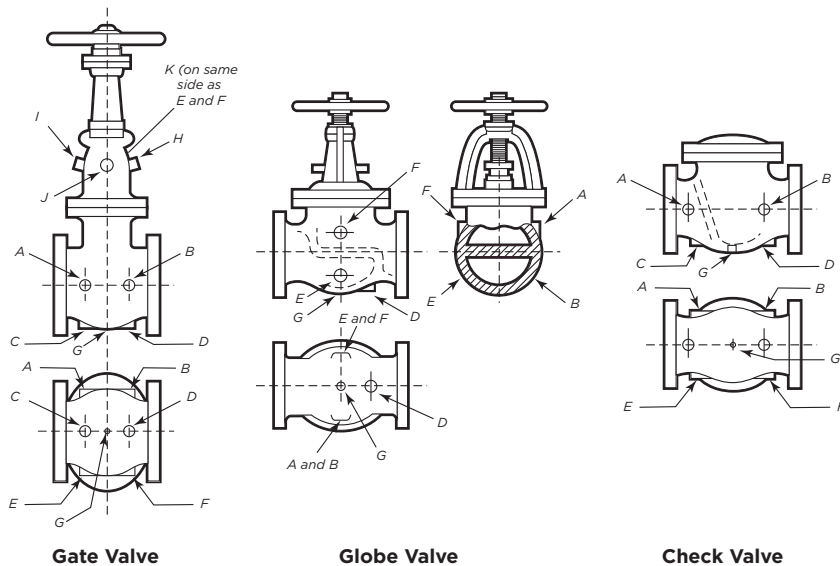
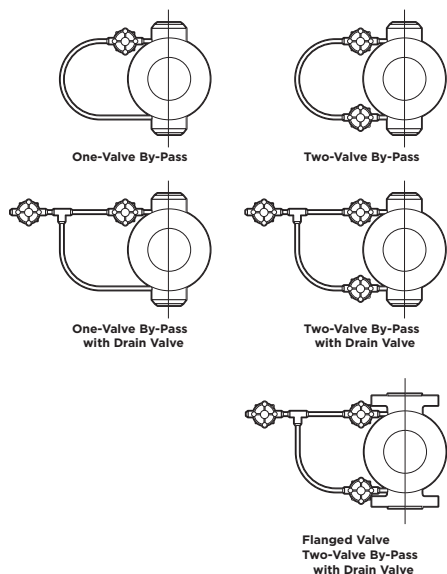
OPTIONS WITH ILLUSTRATIONS

Cast Steel Valves with By-Pass

CLASS 150 • 300 • 600 • 900 • 1500

MSS SP-45 and ASME B16.34

Locations for Auxilliary Connections



Warren Valve has been awarded the following certifications for their Cast Carbon Steel Gate, Globe, and Check Valves:

ISO 9001:2008
 API 6D
 ABS
 CE -PED Certified



Warren Valve Certifications

WARRANTY

Warren Alloy warrants to the Buyer that the products covered by its invoices will, for the period of one year (1) year from the date of its invoice, be free of defects in materials and workmanship. All warranty claims shall be presented by Buyer, in writing, within one (1) year of the invoice date, and Buyer shall afford Warren Alloy access to and a reasonable opportunity to inspect all allegedly defective products. Warren Alloy will, at its option, repair, replace or without replacement, render credit for any products which, if properly stored, handled, used and installed in accordance with the original manufacturer's specifications or designs, industry standards or other or strict liability in tort, including, but not limited to, claims for property damage, personal injury, delay or loss of business or profit, Warren Alloy invoice references to Buyer's specifications or designs, industry standards or other requirements are for descriptive and/or identification purposes only, and no representation or warranty shall be created thereby or implied therefrom. Descriptions, illustrations, samples or references to Warren Alloy products in any catalogue, brochure, price list, circular or similar literature of Warren Alloy, and any technical assistance or advice provided by Warren Alloy with respect to those products, shall be for informational use only and shall

neither create new nor modify existing warranties, the exclusive terms of which are stated herein. To the extent not contrary to public policy, Buyer waives any and all rightist may have against Warren Alloy under the terms of the Magnuson-Moss Warranty - Federal Trade Commission Improvement Act or the Texas Deceptive Trade Practices - Consumer Protection Act. Warren Alloy reserves the right and may, without notice, change or modify the design and/or construction of any of its products, without liability or obligation to furnish or install such changes or modifications on products previously or subsequently sold. **THE WARRANTY STATED IN THIS PARAGRAPH SUPERSEDES AND IS EXPRESSLY IN LIEU OF ANY AND ALL OTHER WARRANTIES, EXPRESS OR IMPLIED, INCLUDING, BUT NOT LIMITED TO, THE IMPLIED WARRANTIES OF MERCHANTABILITY AND FITNESS FOR A PARTICULAR PURPOSE. BOTH OF WHICH ARE HEREBY DISCLAIMED WITH RESPECT TO ALL PRODUCTS.**

The information contained herein is not intended for specific construction or application purposes. Dimensions, specifications, or materials are subject to change without notice and without liability or obligation to furnish or install such changes or modifications on products previously or subsequently sold.



Houston

7200 Mykawa Road
Houston, TX 77033
P 800.969.5565
F 713.799.1007

Cincinnati

9920 Princeton-Glendale Rd.
Cincinnati, OH 45246
P 866.460.9438
F 513.860.3436

Mobile

5155 Mobile South Street
Mobile South Business Park #13
Theodore, AL 36582
P 888.653.8031
F 251.653.5498

Edmonton, Canada

172 Turbo Drive
Sherwood Park AB T8H 2J6
T 877.312.7757
F 780.464.0044

Salt Lake City, Utah

1630 South 4650 West
Salt Lake City, UT 84104
P 800.801.2115
F 801.975.9111

Charlotte Area

1086 Wilson Business Pkwy.
Fort Mill, SC 29708
P 800.331.3672
F 704.521.8243

Lakeland, Florida

4100 South Frontage Rd.
Building #200
Lakeland, FL 33815
P 877.873.4349
F 863.686.1307

Toronto, Canada

30 Woodslee Avenue
Paris, ON N3L 3V1
T 888.442.6661
F 519.442.6660

California

11040 Inland Avenue
Mira Loma, CA 91752
P 800.969.9250
F 909.390.0102

Atlanta

6040 LaGrange Blvd.
Atlanta, GA 30336
P 800.969.1928
F 404.344.3176

New Jersey

266 Ridge Road
Dayton, NJ 08810
P 800.626.9436
F 732.438.0982



www.allied-grp.com

T 800.231.6680

P 713.672.9416

F 713.672.8549



ALLIED GROUP



Warren Valve is Part of the Allied Group of Companies